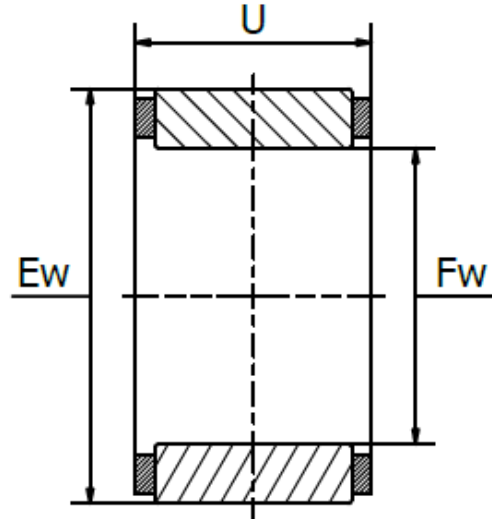
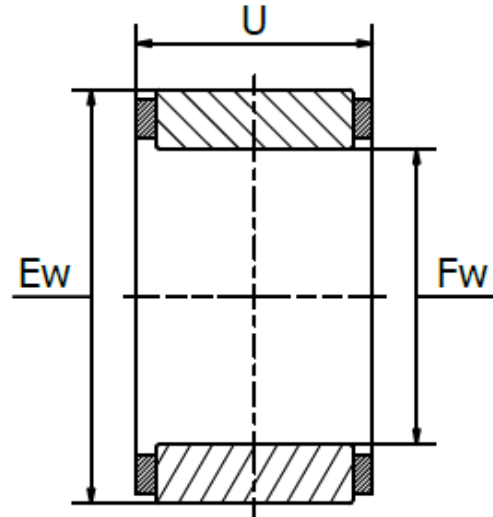


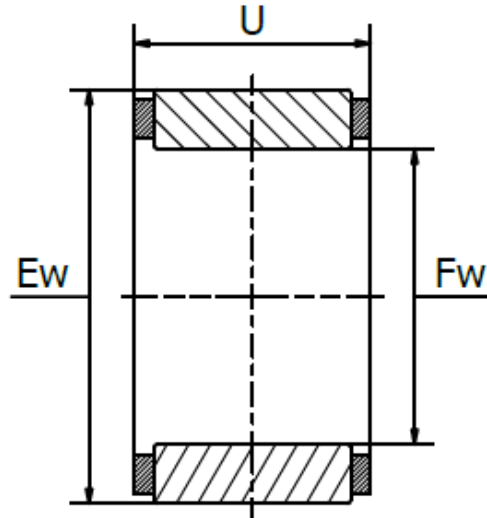
Item No.	Dimensions (mm)			Basic Load Ratings (kN)		Max. Speed (RPM)		Weight (g)
	Fw	Ew	U	Dynamic C _r	Static C _{0r}	Reference	Limiting	
K12x15x15	12	15	15	6,8	8,8	26000	30000	5,0
K12x16x13	12	16	13	7,7	9,5	26000	30000	4,0
K12x17x13	12	17	13	9,1	10,4	26000	30000	5,0
K12x18x12	12	18	12	9,5	10,0	26000	30000	6,0
K14x18x10	14	18	10	6,9	8,7	24000	28000	4,0
K14x18x13	14	18	13	7,9	10,2	24000	28000	7,0
K14x18x15	14	18	15	9,1	12,5	24000	28000	5,0
K14x18x17	14	18	17	10,5	14,6	24000	28000	8,0
K14x20x12	14	20	12	9,9	10,6	24000	28000	9,0
K15x19x10	15	19	10	7,2	9,3	24000	28000	5,0
K15x19x13	15	19	13	8,3	11,2	24000	28000	7,0
K15x19x17	15	19	17	10,8	15,6	24000	28000	10,0
K15x20x13	15	20	13	9,5	11,6	24000	26000	7,0
K15x21x15	15	21	15	13,8	16,3	24000	26000	11,0
K15x21x21	15	21	21	18,7	24,5	24000	26000	17,0
K16x20x10	16	20	10	7,5	10,0	24000	26000	6,0
K16x20x13	16	20	13	8,6	12,0	24000	26000	8,0
K16x20x17	16	20	17	11,2	17,0	24000	26000	10,0
K16x22x12	16	22	12	11,0	12,5	22000	26000	10,0
K16x22x16	16	22	16	14,2	17,6	22000	26000	12,0
K16x22x20	16	22	20	17,6	22,8	22000	26000	17,0
K16x24x20	16	24	20	20,5	23,6	22000	26000	22,0
K17x21x10	17	21	10	7,8	10,8	22000	26000	6,0
K17x21x13	17	21	13	10,1	14,6	22000	26000	7,0
K17x21x17	17	21	17	11,7	18,3	22000	26000	10,0
K18x22x10	18	22	10	8,1	11,4	22000	24000	6,0
K18x22x13	18	22	13	8,8	12,9	22000	24000	8,0
K18x22x17	18	22	17	11,7	18,3	22000	24000	11,0



Item No.	Dimensions (mm)			Basic Load Ratings (kN)		Max. Speed (RPM)		Weight (g)
	F _w	E _w	U	Dynamic C _r	Static C _{0r}	Reference	Limiting	
K18x24x12	18	24	12	12,1	15,0	20000	24000	12,0
K18x24x13	18	24	13	12,5	15,3	20000	24000	13,0
K18x24x20	18	24	20	19,4	27,0	20000	24000	18,0
K18x25x22	18	24	22	22,0	29,0	20000	24000	23,0
K19x23x13	19	23	13	9,1	13,7	20000	24000	8,0
K19x23x17	19	23	17	12,1	19,3	20000	24000	11,0
K20x24x10	20	24	10	8,6	12,9	20000	22000	7,0
K20x24x13	20	24	13	9,5	14,6	20000	22000	9,0
K20x24x17	20	24	17	12,5	20,8	20000	22000	12,0
K20x26x12	20	26	12	12,8	16,3	19000	22000	11,0
K20x26x13	20	26	13	13,8	18,0	19000	22000	12,0
K20x26x17	20	26	17	18,3	26,0	19000	22000	16,0
K20x26x20	20	26	20	20,1	29,0	19000	22000	19,0
K20x28x16	20	28	16	19,0	22,4	18000	20000	20,0
K20x28x20	20	28	20	22,9	28,5	18000	20000	27,0
K20x28x25	20	28	25	29,2	39,0	18000	20000	32,0
K20x30x30	20	30	30	34,1	41,5	17000	20000	49,0
K21x25x13	21	25	13	9,7	15,3	19000	20000	9,0
K22x26x10	22	26	10	8,8	13,7	18000	22000	8,0
K22x26x13	22	26	13	10,1	16,3	18000	20000	10,0
K22x26x17	22	26	17	13,2	22,8	18000	20000	12,0
K22x28x17	22	28	17	18,3	27,0	17000	20000	18,0
K22x29x16	22	29	16	19,4	25,5	17000	19000	16,0
K22x30x15	22	30	15	19,0	23,6	17000	19000	18,0
K22x32x24	22	32	24	31,9	40,0	16000	18000	43,0
K23x35x16	23	35	16	24,2	23,2	15000	17000	29,0
K24x28x10	24	28	10	9,4	15,0	17000	19000	9,0
K24x28x13	24	28	13	10,6	18,0	17000	19000	10,0



Item No.	Dimensions (mm)			Basic Load Ratings (kN)		Max. Speed (RPM)		Weight (g)
	Fw	Ew	U	Dynamic C _r	Static C _{0r}	Reference	Limiting	
K24x28x17	24	28	17	14,0	25,5	17000	19000	13,0
K24x30x17	24	30	17	18,7	27,5	16000	18000	19,0
K25x29x10	25	29	10	9,5	15,6	16000	18000	9,0
K25x29x13	25	29	13	10,8	18,6	16000	18000	11,0
K25x29x17	25	29	17	14,2	26,5	16000	18000	14,0
K25x30x10	25	30	10	17,9	30,5	16000	18000	16,0
K25x30x20	25	30	20	20,9	36,5	16000	18000	18,0
K25x31x17	25	31	17	18,7	28,5	16000	18000	19,0
K25x31x21	25	31	21	23,3	38,0	16000	18000	20,0
K25x32x16	25	32	16	19,8	27,5	15000	17000	21,0
K25x33x20	25	33	20	27,5	38,0	15000	17000	33,0
K25x33x24	25	33	24	31,9	47,5	15000	17000	39,0
K25x35x30	25	35	30	44,6	62,0	15000	17000	65,0
K26x30x13	26	30	13	11,2	19,6	16000	18000	11,0
K26x30x17	26	30	17	14,7	27,5	16000	18000	15,0
K28x33x13	28	33	13	14,7	24,5	14000	16000	13,0
K28x33x17	28	33	17	19,0	33,5	14000	16000	17,0
K28x34x17	28	34	17	20,9	33,5	14000	16000	24,0
K28x35x16	28	35	16	20,5	30,0	14000	16000	24,0
K28x35x18	28	35	18	22,9	34,5	14000	16000	27,0
K28x40x25	28	40	25	42,9	55,0	13000	15000	70,0
K30x34x13	30	34	13	11,9	22,0	14000	15000	14,0
K30x35x13	30	35	13	15,1	25,5	13000	15000	14,0
K30x35x17	30	35	17	18,7	34,0	13000	15000	19,0
K30x35x27	30	35	27	29,2	60,0	13000	15000	30,0
K30x37x16	30	37	16	22,0	33,5	13000	15000	27,0
K30x37x18	30	37	18	25,1	39,0	13000	15000	30,0
K30x40x30	30	40	30	46,8	69,5	12000	14000	73,0



Item No.	Dimensions (mm)			Basic Load Ratings (kN)		Max. Speed (RPM)		Weight (g)
	F _w	E _w	U	Dynamic C _r	Static C _{0r}	Reference	Limiting	
K32x37x13	32	37	13	14,7	25,5	13000	14000	18,0
K32x37x17	32	37	17	19,0	35,5	13000	14000	19,0
K32x37x27	32	37	27	28,6	60,0	13000	14000	30,0
K32x38x20	32	38	10	25,1	45,0	12000	14000	30,0
K32x39x16	32	39	16	22,9	35,5	12000	14000	37,0
K32x39x18	32	39	18	25,5	41,5	12000	14000	31,0
K32x40x25	32	40	25	35,8	58,5	12000	14000	49,0
K32x40x42	32	40	42	48,4	83,0	12000	14000	77,0
K32x46x32	32	46	32	62,7	83,0	11000	13000	120,0
K35x40x13	35	40	13	15,4	28,0	12000	13000	19,0
K35x40x17	35	40	17	19,8	39,0	12000	13000	21,0
K35x40x25	35	40	25	28,1	60,0	12000	13000	31,0
K35x40x27	35	40	27	23,8	49,0	12000	13000	39,0
K35x42x16	35	42	16	23,3	37,5	11000	13000	34,0
K35x42x18	35	42	18	26,4	44,0	11000	13000	34,0
K35x42x20	35	42	20	29,2	50,0	11000	13000	37,0
K35x42x30	35	42	30	37,4	68,0	11000	13000	37,0
K35x45x20	35	45	20	35,2	50,0	11000	12000	56,0
K35x45x30	35	45	30	50,1	80,0	11000	12000	80,0
K36x42x16	36	42	16	22,8	37,7	11000	12000	27,0
K37x42x17	37	42	17	21,6	43,0	11000	13000	22,0