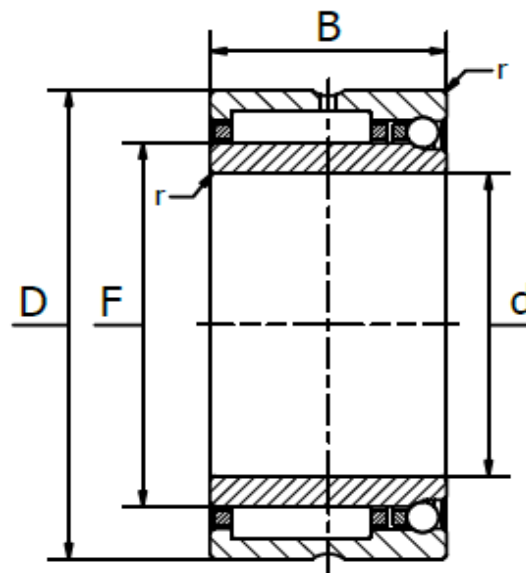




## NKIA Series - Combined Needle Bearings

Needle roller/angular contact ball bearing.

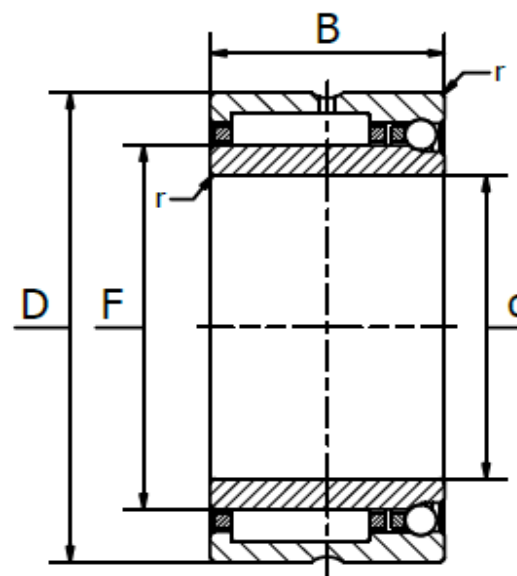


Item No.	Dimensions (mm)					Basic Load Ratings (kN)				Max. Speed (RPM)		Weight (g)
	d	D	B	F	r <sub>min</sub>	Radial dynamic	Radial static	Axial dynamic	Axial static	Reference	Limiting	
NKIA5901	12	24	16	16	0,3	8,1	9,65	2,07	1,92	22000	26000	40
NKIA5902	15	28	18	20	0,3	11,2	15,30	2,27	2,37	19000	22000	50
NKIA5903	17	30	18	22	0,3	11,4	16,30	2,24	2,74	18000	20000	56
NKAI5904	20	37	23	25	0,3	21,6	28,00	3,79	4,21	15000	17000	100
NKIA59-22	22	39	23	28	0,3	23,3	32,00	4,14	4,93	14000	15000	120
NKIA5905	25	42	23	30	0,3	24,2	34,50	4,24	5,26	13000	15000	130
NKIA5906	30	47	23	35	0,3	25,5	39,00	4,54	6,32	11000	13000	150
NKIA5907	35	55	27	42	0,6	31,9	54,00	5,83	8,42	9500	11000	240
NKIA5908	40	62	30	48	0,6	42,9	71,00	7,17	10,90	8000	9500	320
NKIA5909	45	68	30	52	0,6	45,7	78,00	7,47	12,00	7500	8500	380



## NKIA Series - Combined Needle Bearings

Needle roller/angular contact ball bearing.



Item No.	Dimensions (mm)					Basic Load Ratings (kN)				Max. Speed (RPM)		Weight (g)
	d	D	B	F	r <sub>min</sub>	Radial dynamic	Radial static	Axial dynamic	Axial static	Reference	Limiting	
NKIA5910	50	72	30	58	0,6	47,3	85,00	7,74	13,70	7000	8000	380
NKIA5911	55	80	34	63	1,0	57,2	106,00	9,27	16,70	6300	7000	550
NKIA5912	60	85	34	68	1,0	60,5	114,00	9,58	18,00	6000	6700	590
NKIA5913	65	90	34	72	1,0	61,6	120,00	9,96	19,20	5600	6300	640
NKIA5914	70	100	40	80	1,0	84,2	163,00	13,20	25,00	5000	5600	980