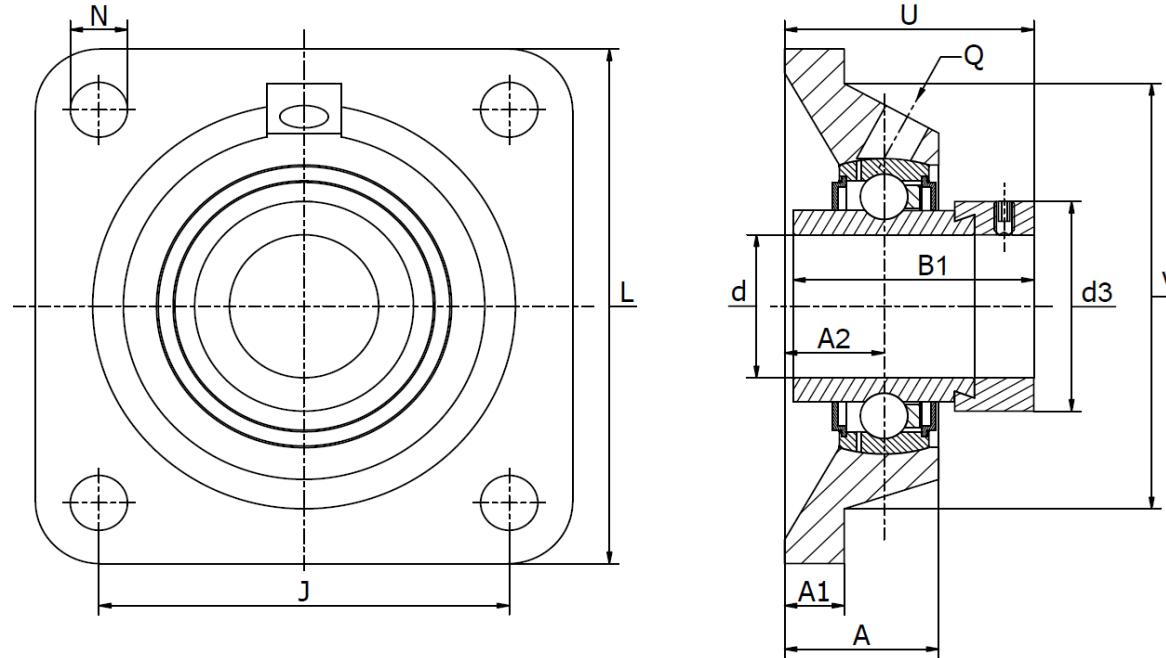




FWS .. A ZP series (RCJ..FA125)

Four-bolt flanged housing units, cast iron, eccentric locking collar, anti-corrosion protection. Temperature range -30°C to +110°C



Type	d mm	Dimensions (mm)										Bearing No.	Housing No.	Weight (kg)	Cover (Not included)	
		L	U	A	A ₁	A ₂	B ₁	d _{3 max}	J	N	Q					V
FWS 20 A ZP - RCJ20 FA125	20	86	45,6	29,0	10,0	19,0	43,7	33,0	63,5	11,5	1/8"	68	HC 204 ZP	CJ04.FA125	0,65	N/A
FWS 25 A ZP - RCJ25 FA125	25	95	46,0	29,0	11,0	19,0	44,4	37,5	70,0	11,5	1/8"	74	HC 205 ZP	CJ05.FA125	0,82	KASK05
FWS 30 A ZP - RCJ30 FA125	30	108	50,2	29,0	12,0	20,0	48,4	44,0	82,5	11,5	1/8"	85	HC 206 ZP	CJ06.FA125	1,16	KASK06
FWS 35 A ZP - RCJ35 FA125	35	118	53,5	30,5	12,5	21,0	51,1	51,0	92,0	14,0	1/8"	100	HC 207 ZP	CJ07.FA125	1,47	Cover Ø35
FWS 40 A ZP - RCJ40 FA125	40	130	59,1	34,5	13,0	24,0	56,3	60,3	101,5	14,0	1/8"	110	HC 208 ZP	CJ08.FA125	2,02	KASK08
FWS 45 A ZP - RCJ45 FA125	45	137	59,1	35,0	13,0	24,0	56,3	63,0	105,0	14,0	1/8"	116	HC 209 ZP	CJ09.FA125	2,26	Cover Ø40/45
FWS 50 A ZP - RCJ50 FA125	50	143	66,1	39,0	13,0	28,0	62,7	69,0	111,0	18,0	1/8"	125	HC 210 ZP	CJ10.FA125	2,53	KASK10