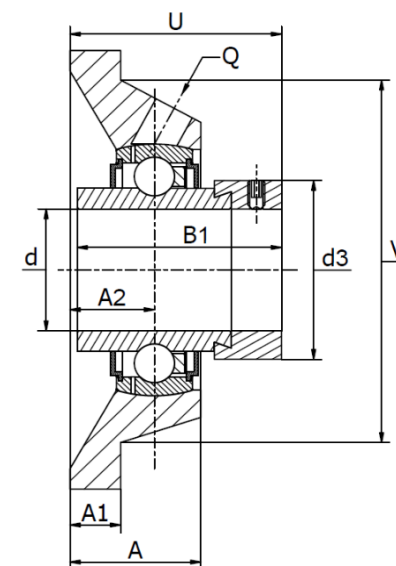
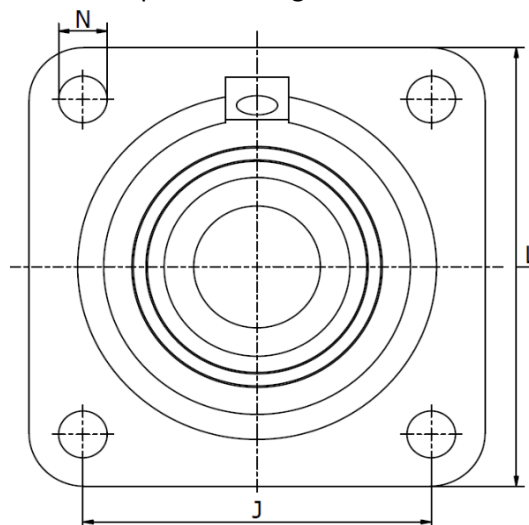




FWS .. A series (RCJ)

Four-bolt flanged housing units, cast iron, eccentric locking collar. Temperature range -30°C to +110°C



Type	d mm	Dimensions (mm)											Bearing No.	Housing No.	Weight (kg)	Cover (Not included)
		L	U	A	A ₁	A ₂	B ₁	d _{3 max}	J	N	Q	V				
FWS 20 A - RCJ20	20	86	45,6	29,0	10,0	19,0	43,7	33,0	63,5	11,5	1/8"	68	HC 204	CJ04	0,65	N/A
FWS 25 A - RCJ25	25	95	46,0	29,0	11,0	19,0	44,4	37,5	70,0	11,5	1/8"	74	HC 205	CJ05	0,82	KASK05
FWS 30 A - RCJ30	30	108	50,2	29,0	12,0	20,0	48,4	44,0	82,5	11,5	1/8"	85	HC 206	CJ06	1,16	KASK06
FWS 35 A - RCJ35	35	118	53,5	30,5	12,5	21,0	51,1	51,0	92,0	14,0	1/8"	100	HC 207	CJ07	1,47	Cover Ø35
FWS 40 A - RCJ40	40	130	59,1	34,5	13,0	24,0	56,3	60,3	101,5	14,0	1/8"	110	HC 208	CJ08	2,02	KASK08
FWS 45 A - RCJ45	45	137	59,1	35,0	13,0	24,0	56,3	63,0	105,0	14,0	1/8"	116	HC 209	CJ09	2,26	Cover Ø40/45
FWS 50 A - RCJ50	50	143	66,1	39,0	13,0	28,0	62,7	69,0	111,0	18,0	1/8"	125	HC 210	CJ10	2,53	KASK10
FWS 55 A - RCJ55	55	162	74,6	43,5	15,0	31,0	71,4	76,0	130,0	18,0	1/8"	140	HC 211	CJ11	3,52	N/A
FWS 60 A - RCJ60	60	175	80,9	46,0	16,0	34,0	77,7	84,0	143,0	18,0	1/8"	150	HC 212	CJ12	4,54	KASK12
FWS 65 A - RCJ65	65	188	82,6	52,0	18,0	38,0	66,0	96,0	150,0	18,0	1/8"	165	HC 213	CJ14	6,11	N/A
FWS 70 A - RCJ70	70	188	82,6	52,0	18,0	38,0	66,0	96,0	150,0	18,0	1/8"	165	HC 214	CJ14	5,85	N/A
FWS 75 A - RCJ75	75	197	86,6	55,8	20,0	41,3	67,1	100,0	153,0	23,0	1/8"	170	HC 215	CJ15	6,50	N/A
FWS 80 A - RCJ80	80	197	88,9	55,8	20,0	41,3	70,7	108,0	153,0	23,0	1/8"	180	HC 216	CJ16	6,85	N/A
FWS 90 A - RCJ90	90	235	70,3	39,8	22,0	23,8	69,6	118,0	187,0	23,0	1/8"	200	HC 218	CJ18	9,00	N/A
FWS 100 A - RCJ100	100	260	77,5	46,0	25,0	28,0	75,0	132,0	210,0	27,0	1/8"	230	HC 220	CJ20	12,25	N/A
FWS 120 A - RCJ120	120	305	83,0	51,0	28,0	31,0	81,0	152,0	240,0	30,0	1/8"	270	HC 224	CJ24	18,00	N/A