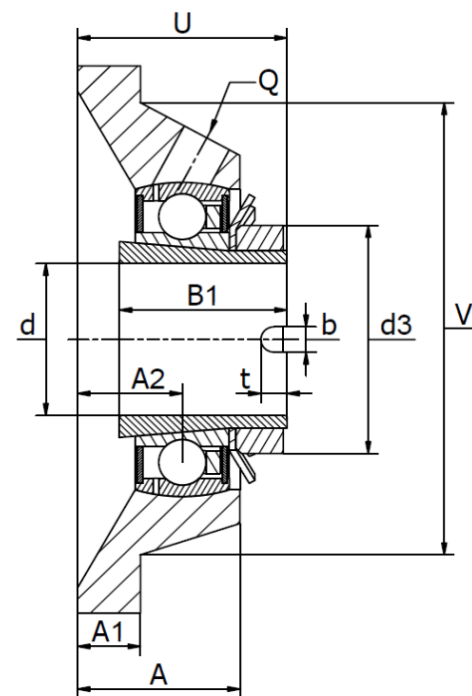
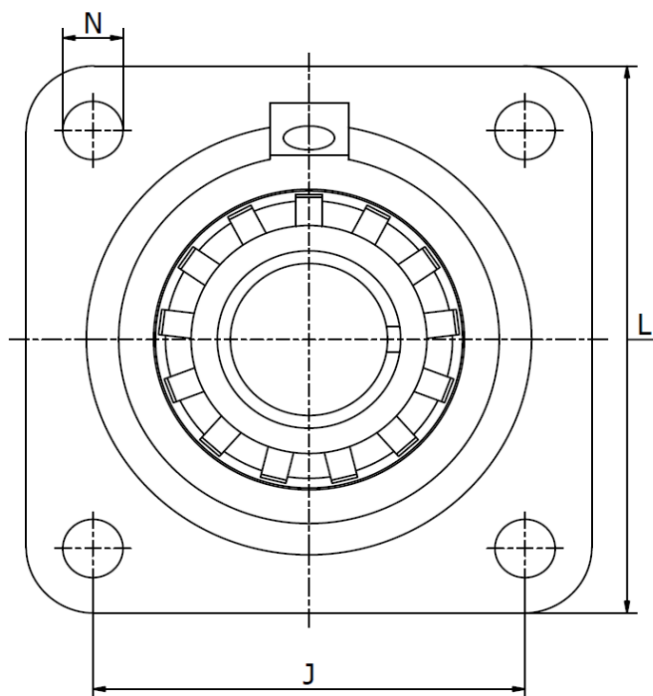




## FWS .. KG series (RCJA)

Four-bolt flanged housing units, cast iron, adapter sleeve. Temperature range -30°C to +110°C



Part No.	d mm	Dimensions (mm)										Bearing No.	Housing No.	Weight (kg)	Cover (Not included)			
		L	U	A	A <sub>1</sub>	A <sub>2</sub>	B <sub>1</sub>	d <sub>3 max</sub>	b	t	J					N	Q	V
FWS 20 KG - RCJA20	20	86	42,5	29	10	19	28	32	5	5	63,5	11,5	1/8"	68	GSH 20 RRB	CJ04	0,60	N/A
FWS 25 KG - RCJA25	25	95	42,5	29	11	19	28	38	5	5	70	11,5	1/8"	74	GSH 25 RRB	CJ05	0,76	KASK05
FWS 30 KG - RCJA30	30	108	46,8	29	12	20	32	45	5	5	82,5	11,5	1/8"	85	GSH 30 RRB	CJ06	1,11	KASK06
FWS 35 KG - RCJA35	35	118	50,5	30,5	12,5	21	34	52	5	5	92	14	1/8"	100	GSH 35 RRB	CJ07	1,46	KASK07
FWS 40 KG - RCJA40	40	130	56,8	34,5	13	24	38	58	5	5	101,5	14	1/8"	110	GSH 40 RRB	CJ08	1,89	KASK08
FWS 45 KG - RCJA45	45	137	56,7	35	13	24	46	62	5	5	105	14	1/8"	116	GSH 45 RRB	CJ09	2,22	Cover Ø40/45
FWS 50 KG - RCJA50	50	143	60,8	39	13	28	40	70	5	5	111	18	1/8"	125	GSH 50 RRB	CJ10	2,30	KASK10