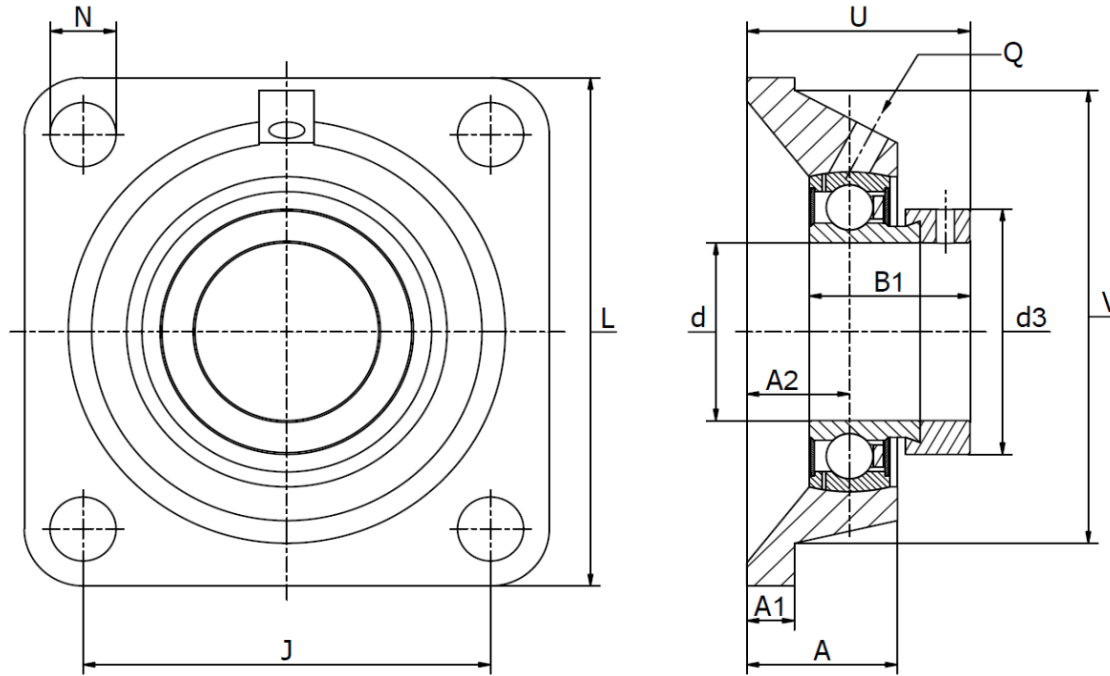




FWS .. ZP series (PCJ..FA125)

Four-bolt flanged housing units, cast iron, eccentric locking collar, anti-corrosion protection. Temperature range -30°C to +110°C



| Part No. | d mm | Dimensions (mm) | | | | | | | | | | | Bearing No. | Housing No. | Weight (kg) | Cover |
|-------------------------|---------|-----------------|------|------|----------------|----------------|----------------|--------------------|-------|------|------|-----|-------------|-------------|----------------|--------------|
| | | L | U | A | A ₁ | A ₂ | B ₁ | d _{3 max} | J | N | Q | V | | | | |
| FWS 20 ZP - PCJ20 FA125 | 20 | 86 | 42,5 | 29,0 | 10,0 | 19 | 31,0 | 33,0 | 63,5 | 11,5 | 1/8" | 68 | SA 204 ZP | CJ04.FA125 | 0,60 | N/A |
| FWS 25 ZP - PCJ25 FA125 | 25 | 95 | 42,5 | 29,0 | 11,0 | 19 | 31,0 | 37,5 | 70,0 | 11,5 | 1/8" | 74 | SA 205 ZP | CJ05.FA125 | 0,76 | KASK05 |
| FWS 30 ZP - PCJ30 FA125 | 30 | 108 | 46,8 | 29,0 | 12,0 | 20 | 35,8 | 44,0 | 82,5 | 11,5 | 1/8" | 85 | SA 206 ZP | CJ06.FA125 | 1,11 | KASK06 |
| FWS 35 ZP - PCJ35 FA125 | 35 | 118 | 50,5 | 30,5 | 12,5 | 21 | 39,0 | 51,0 | 92,0 | 14,0 | 1/8" | 100 | SA 207 ZP | CJ07.FA125 | 1,46 | KASK07 |
| FWS 40 ZP - PCJ40 FA125 | 40 | 130 | 56,8 | 34,5 | 13,0 | 24 | 43,8 | 58,0 | 101,5 | 14,0 | 1/8" | 110 | SA 208 ZP | CJ08.FA125 | 1,89 | KASK08 |
| FWS 45 ZP - PCJ45 FA125 | 45 | 137 | 56,7 | 35,0 | 13,0 | 24 | 43,8 | 63,0 | 105,0 | 14,0 | 1/8" | 116 | SA 209 ZP | CJ09.FA125 | 2,22 | Cover Ø40/45 |
| FWS 50 ZP - PCJ50 FA125 | 50 | 143 | 60,8 | 39,0 | 13,0 | 28 | 43,8 | 69,0 | 111,0 | 18,0 | 1/8" | 125 | SA 210 ZP | CJ10.FA125 | 2,30 | KASK10 |