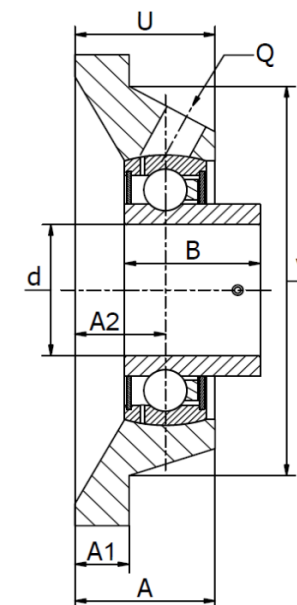
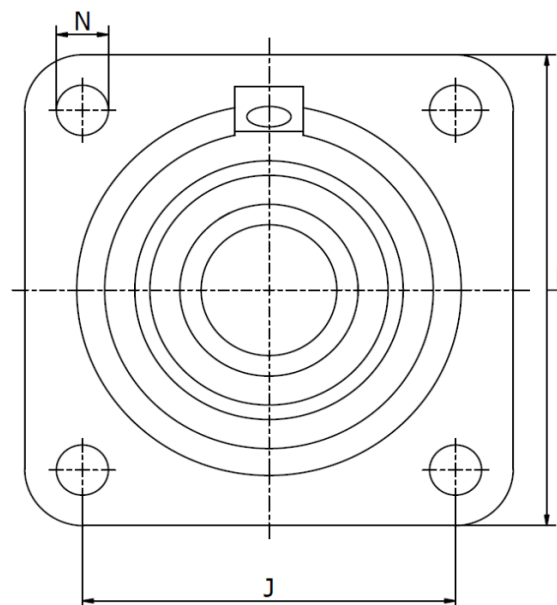




FWS .. S series (PCJY)

Four-bolt flanged housing units, cast iron, grub screws. Temperature range -30°C to +110°C



Part No.	d mm	Dimensions (mm)										Bearing No.	Housing No.	Weight (kg)	Cover (Not included)
		L	U	A	A ₁	A ₂	B	J	N	Q	V				
FWS 12 S - PCJY12	12	76	31,0	26	9,5	15	22,0	54	11,5	M6	50	SB 201	FWS 12-FY503	0,50	N/A
FWS 15 S - PCJY15	15	76	31,0	26	9,5	15	22,0	54	11,5	M6	50	SB 202	FWS 15-FY503	0,49	N/A
FWS 17 S - PCJY17	17	76	31,0	26	9,5	15	22,0	54	11,5	M6	50	SB 203	FWS 17-FY503	0,48	N/A
FWS 20 S - PCJY20	20	86	37,0	29,0	10,0	19	25,0	63,5	11,5	1/8"	68	SB 204	CJ04	0,56	N/A
FWS 25 S - PCJY25	25	95	38,5	29,0	11,0	19	27,0	70,0	11,5	1/8"	74	SB 205	CJ05	0,72	KASK05
FWS 30 S - PCJY30	30	108	41,0	29,0	12,0	20	30,0	82,5	11,5	1/8"	85	SB 206	CJ06	1,03	KASK06
FWS 35 S - PCJY35	35	118	46,5	30,5	12,5	21	35,0	92,0	14,0	1/8"	100	SB 207	CJ07	1,38	KASK07
FWS 40 S - PCJY40	40	130	53,0	34,5	13,0	24	39,5	101,5	14,0	1/8"	110	SB 208	CJ08	1,81	KASK08
FWS 45 S - PCJY45	45	137	54,5	35,0	13,0	24	41,5	105,0	14,0	1/8"	116	SB 209	CJ09	2,00	Cover Ø40/45
FWS 50 S - PCJY50	50	143	60,0	39,0	13,0	28	43,0	111,0	18,0	1/8"	125	SB 210	CJ10	2,20	KASK10
FWS 60 S - PCJY60	60	175	68,0	46,0	16,0	34	47,0	143,0	18,0	1/8"	150	SB 212	CJ12	3,59	KASK12