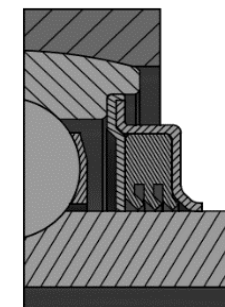
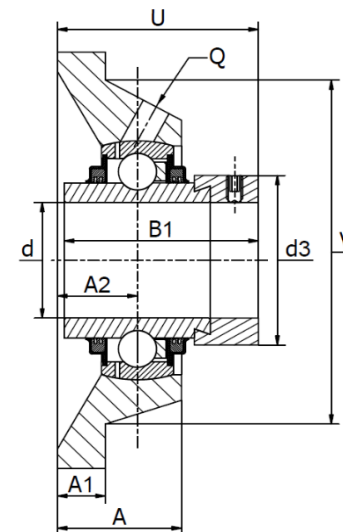
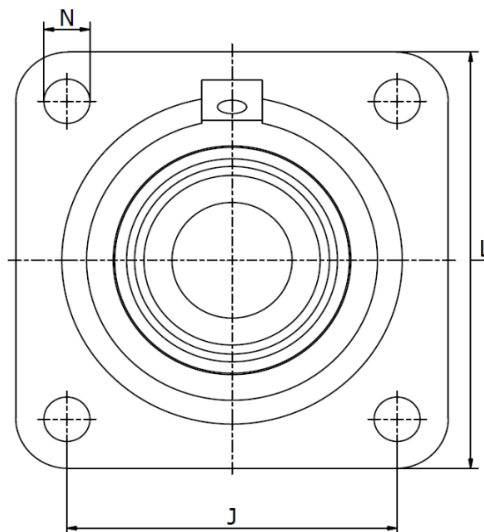




FWS .. T series (TCJ)

Four-bolt flanged housing units, cast iron, tripple seals, eccentric locking collar. Temperature range -30°C to +110°C



**Tripple lip seal
(Suffix R3)**

Type	d mm	Dimensions (mm)											Bearing No.	Housing No.	Weight (kg)	Cover (Not included)
		L	U	A	A ₁	A ₂	B ₁	d _{3 max}	J	N	Q	V				
FWS 20 T - TCJ20	20	86	45,6	29,0	10,0	19,0	43,7	33,0	63,5	11,5	1/8"	68	HC 204 R3	CJ04	0,65	N/A
FWS 25 T - TCJ25	25	95	46,0	29,0	11,0	19,0	44,5	37,5	70,0	11,5	1/8"	74	HC 205 R3	CJ05	0,82	KASK05
FWS 30 T - TCJ30	30	108	50,2	29,0	12,0	20,0	48,5	44,0	82,5	11,5	1/8"	85	HC 206 R3	CJ06	1,16	KASK06
FWS 35 T - TCJ35	35	118	53,5	30,5	12,5	21,0	51,3	51,0	92,0	14,0	1/8"	100	HC 207 R3	CJ07	1,47	Cover Ø35
FWS 40 T - TCJ40	40	130	59,1	34,5	13,0	24,0	56,5	58,0	101,5	14,0	1/8"	110	HC 208 R3	CJ08	2,02	KASK08
FWS 45 T - TCJ45	45	137	59,1	35,0	13,0	24,0	56,5	63,0	105,0	14,0	1/8"	116	HC 209 R3	CJ09	2,26	Cover Ø40/45
FWS 50 T - TCJ50	50	143	66,1	39,0	13,0	28,0	62,8	69,0	111,0	18,0	1/8"	125	HC 210 R3	CJ10	2,53	KASK10
FWS 55 T - TCJ55	55	162	74,6	43,5	15,0	31,0	71,4	76,0	130,0	18,0	1/8"	140	HC 211 R3	CJ11	3,52	N/A
FWS 60 T - TCJ60	60	175	80,9	46,0	16,0	34,0	77,9	84,0	143,0	18,0	1/8"	150	HC 212 R3	CJ12	4,54	KASK12
FWS 65 T - TCJ65	65	188	82,6	52,0	18,0	38,0	66,0	96,0	150,0	18,0	1/8"	165	HC 213 R3	CJ14	6,11	N/A
FWS 70 T - TCJ70	70	188	82,6	52,0	18,0	38,0	66,0	96,0	150,0	18,0	1/8"	165	HC 214 R3	CJ14	5,85	N/A
FWS 75 T - TCJ75	75	197	86,6	55,8	20,0	41,3	67,0	100,0	153,0	23,0	1/8"	170	HC 215 R3	CJ15	6,50	N/A
FWS 80 T - TCJ80	80	197	88,9	55,8	20,0	41,3	70,7	108,0	153,0	23,0	1/8"	180	HC 216 R3	CJ16	6,85	N/A
FWS 90 T - TCJ90	90	235	70,3	39,8	22,0	23,8	69,5	118,0	187,0	23,0	1/8"	200	HC 218 R3	CJ18	9,00	N/A
FWS 100 T - TCJ100	100	265	77,5	46,0	25,0	28,0	75,0	132,0	210,0	27,0	1/8"	230	HC 220 R3	CJ20	12,25	N/A
FWS 120 T - TCJ120	120	305	83,0	51,0	28,0	31,0	81,0	152,0	240,0	30,0	1/8"	270	HC 224 R3	CJ24	18,00	N/A