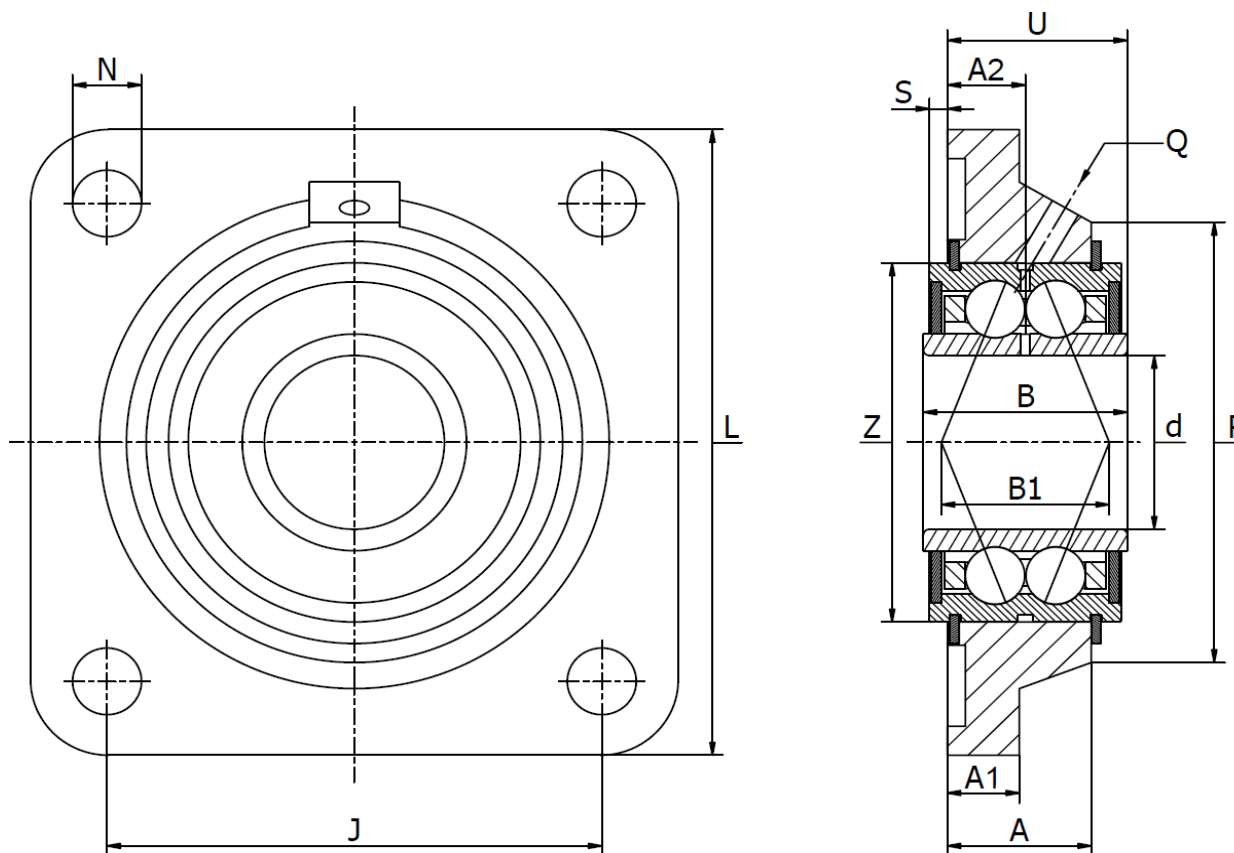




## PCCJ .. Series - Four-bolt flanged housing units.

Cast iron, double row angular contact ball bearing. Temperature range -30°C to +110°C



Item No.	Dimensions (mm)														Weight m (kg)	Load rating radial		Fatigue limit $C_{ur}$ (N)	Housing No.	Bearing No.
	d	L	B	A	A <sub>1</sub>	A <sub>2</sub>	B <sub>1</sub>	J	N	Q	R <sub>max</sub>	S	U	Z (h5)		C <sub>r</sub> (N)	C <sub>or</sub> (N)			
<b>PCCJ 25</b>	25	95	30	22,1	12	11,7	24,0	70,0	11,5	M6	64	2,4	26,7	52	0,79	21.600	14.900	750	CCJ05	G5205.2RS-N
<b>PCCJ 30</b>	30	108	34	24,0	12	13,0	28,9	82,5	11,5	M6	76	3,2	29,7	62	1,12	30.000	21.400	1.080	CCJ06	G5206.2RS-N
<b>PCCJ 35</b>	35	118	36	26,0	14	14,0	33,8	92,0	14,0	M6	88	3,0	31,7	72	1,48	39.500	29.000	1.470	CCJ07	G5207.2RS-N
<b>PCCJ 40</b>	40	130	38	28,0	14	15,0	38,8	101,5	14,0	M6	98	3,2	33,7	80	1,8	50.000	38.000	1.910	CCJ08	G5208.2RS-N