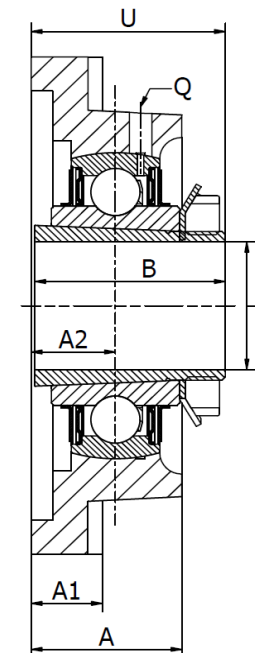
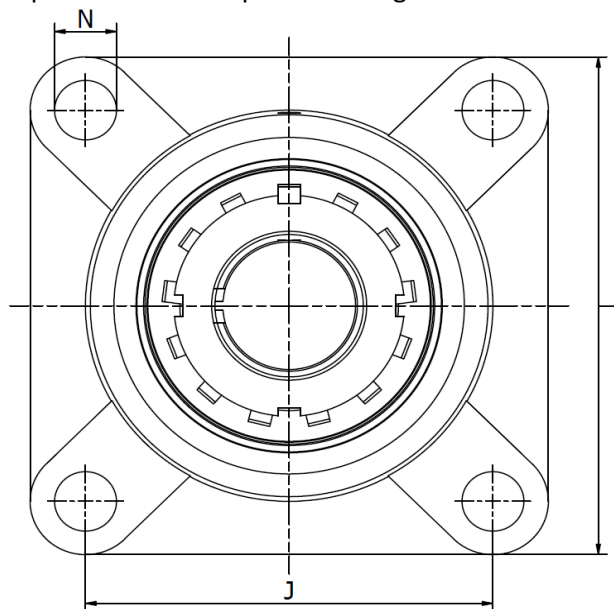
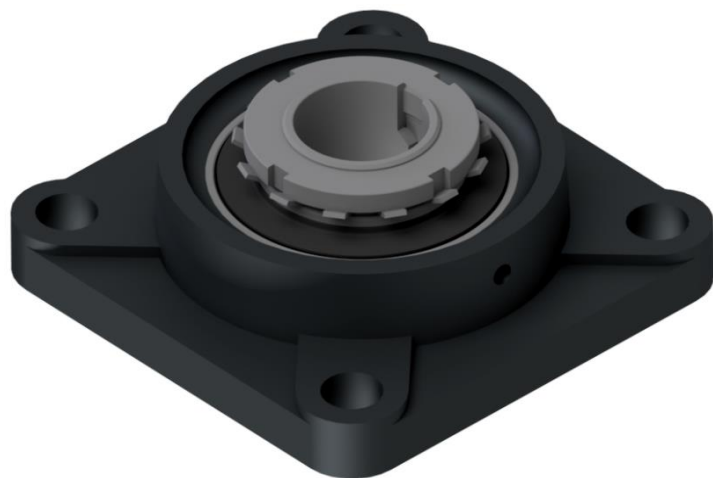




UKF 200 Series

Four-bolt flanged housing units, cast iron, for adapter sleeves. Temperature range -30°C to +110°C



Product No.	d (mm)		Dimensions (mm)								Bolt size	Bearing No.	Adapter Sleeve (Not included)	Weight (kg)
	Shaft	L	J	A ₂	A ₁	A	N	U	B	Q				
UKF 205	20	95	70	16	13	27	12	35,5	35	M6	M10	UK 205	H 2305	0,8
UKF 206	25	108	83	18	13	31	12	39,0	38	M6	M10	UK 206	H 2306	1,1
UKF 207	30	117	92	19	15	34	14	42,5	43	M6	M12	UK 207	H 2307	1,6
UKF 208	35	130	102	21	15	36	16	46,5	46	M6	M14	UK 208	H 2308	1,8
UKF 209	40	137	105	22	16	38	16	48,5	50	M6	M14	UK 209	H 2309	2,3
UKF 210	45	143	111	22	16	40	16	50,0	55	M6	M14	UK 210	H 2310	2,6
UKF 211	50	162	130	25	18	43	19	54,5	59	M6	M16	UK 211	H 2311	3,5
UKF 212	55	175	143	29	18	48	19	61,0	62	M6	M16	UK 212	H 2312	4,0
UKF 213	60	187	149	30	22	50	19	64,0	65	M6	M16	UK 213	H 2313	5,6
UKF 215	65	200	159	34	22	56	19	71,0	73	M6	M16	UK 215	H 2315	6,8
UKF 216	70	208	165	34	22	58	23	73,5	78	M6	M20	UK 216	H 2316	8,3
UKF 217	75	220	175	36	24	63	23	77,0	82	M6	M20	UK 217	H 2317	10,0
UKF 218	80	235	187	40	24	68	23	81,5	86	Rp1/8"	M20	UK 218	H 2318	12,0