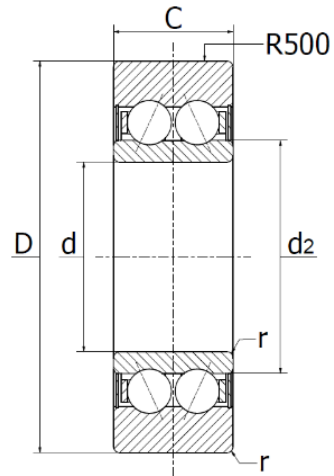




LR5000NPPU - Track Rollers (LR5000-2RSR / LR5000.2RS)

Double row, sealed on both sides, can also be supplied with 2Z (KDDU) seals on request. Curved outer race



Legend:

- R** Crowning radius
- Crw** Effective dynamic load rating as track roller (radial)
- C0rw** Effective static load rating as track roller (radial)
- Curw** Fatigue limit load
- Fr per** Limiting load on outer ring
- nDG** Speed (with continuous operation and grease lubrication)

Part No.	Dimensions (mm)						Mass kg	Load rating (N)				nDG (1/min)
	d	D	C	d2	R	rmin		Crw	C0rw	Curw	Fr per	
LR50/5NPPU	5	17	7	8,2	500	0,2	0,01	1690	950	50	950	12000
LR50/6NPPU	6	19	9	9,3	500	0,3	0,02	2700	1410	68	1410	11000
LR50/7NPPU	7	22	10	10,5	500	0,3	0,02	3300	1700	83	1700	10000
LR50/8NPPU	8	24	11	10,5	500	0,3	0,03	4300	2460	122	2460	10000
LR5000NPPU	10	28	12	13,5	500	0,3	0,03	4750	2950	149	2950	9000
LR5001NPPU	12	30	12	15,5	500	0,3	0,03	5100	3200	166	3200	8500
LR5002NPPU	15	35	13	20,4	500	0,3	0,05	6500	4250	222	4250	7000
LR5003NPPU	17	40	14	21,6	500	0,3	0,07	7800	5400	275	5400	6000
LR5004NPPU	20	47	16	25,2	500	0,6	0,12	11700	7900	415	7900	5500
LR5005NPPU	25	52	16	29,8	500	0,6	0,15	11800	8400	450	8400	4700
LR5006NPPU	30	62	19	35,5	500	1,0	0,25	16000	12200	650	12200	4000
LR5007NPPU	35	68	20	41,7	500	1,0	0,30	17800	13700	740	13700	4300