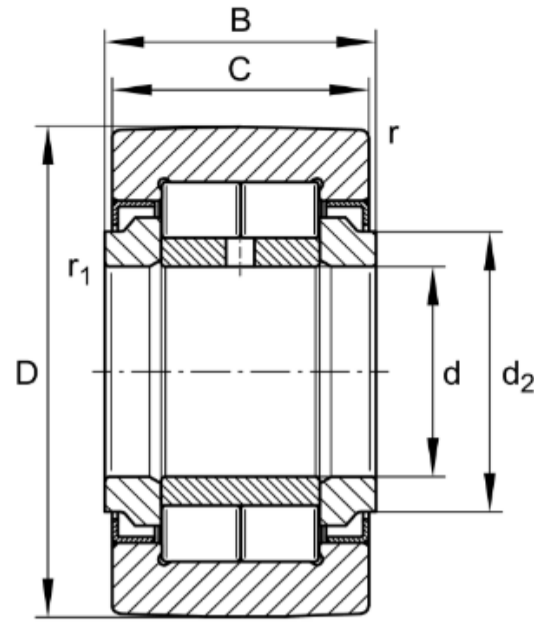


NUTR Series - Yoke type track rollers

Full complement roller set, with axial guidance, labyrinth seals on both sides, outer ring is curved, also available with cylindrical outer ring (add suffix X).



Legend:

- Crw** Effective dynamic load rating as track roller (radial)
- C0rw** Effective static load rating as track roller (radial)
- Fr per** Permissible dynamic radial load
- F0 per** Permissible static radial load
- Curw** Fatigue limit load
- nDG** Speed (with continuous operation and grease lubrication)

| Part No. | Dimensions (mm) | | | | | | | Mass g | Load rating(N) | | | | | nDG (1/min) |
|-----------|-----------------|-----|----|----|------|-------|------|-----------|----------------|--------|--------|---------|-------|----------------|
| | d | D | B | C | d2 | r1min | rmin | | Crw | C0rw | Fr per | F0r per | Curw | |
| NUTR15 | 15 | 35 | 19 | 18 | 20,0 | 0,3 | 0,6 | 99 | 15300 | 19000 | 8500 | 16800 | 2480 | 6500 |
| NUTR1542 | 15 | 42 | 19 | 18 | 20,0 | 0,3 | 0,6 | 158 | 18300 | 24700 | 24700 | 24700 | 3150 | 6500 |
| NUTR17 | 17 | 40 | 21 | 20 | 22,0 | 0,5 | 1,0 | 147 | 18800 | 25500 | 12900 | 25500 | 3250 | 5500 |
| NUTR1747 | 17 | 47 | 21 | 20 | 22,0 | 0,5 | 1,0 | 220 | 21600 | 31000 | 31000 | 31000 | 3900 | 5500 |
| NUTR20 | 20 | 47 | 25 | 24 | 27,0 | 0,5 | 1,0 | 245 | 28500 | 38000 | 16200 | 32500 | 4950 | 4200 |
| NUTR2052 | 20 | 52 | 25 | 24 | 27,0 | 0,5 | 1,0 | 321 | 31500 | 44500 | 38000 | 44500 | 5800 | 4200 |
| NUTR25 | 25 | 52 | 25 | 24 | 31,0 | 0,5 | 1,0 | 281 | 29500 | 41500 | 17000 | 33500 | 5400 | 4200 |
| NUTR2562 | 25 | 62 | 25 | 24 | 31,0 | 0,5 | 1,0 | 450 | 35500 | 54000 | 54000 | 54000 | 7000 | 4200 |
| NUTR30 | 30 | 62 | 29 | 28 | 38,0 | 0,5 | 1,0 | 465 | 40500 | 55000 | 23300 | 46000 | 7400 | 2600 |
| NUTR3072 | 30 | 72 | 29 | 28 | 38,0 | 0,5 | 1,0 | 697 | 48000 | 71000 | 68000 | 71000 | 9300 | 2600 |
| NUTR35 | 35 | 72 | 29 | 28 | 44,0 | 0,6 | 1,1 | 630 | 45000 | 66000 | 31500 | 62000 | 8900 | 2100 |
| NUTR3580 | 35 | 80 | 29 | 28 | 44,0 | 0,6 | 1,1 | 836 | 51000 | 79000 | 76000 | 79000 | 10500 | 2100 |
| NUTR40 | 40 | 80 | 32 | 30 | 50,5 | 0,6 | 1,1 | 816 | 56000 | 81000 | 31000 | 60000 | 11300 | 1600 |
| NUTR4090 | 40 | 90 | 32 | 30 | 50,5 | 0,6 | 1,1 | 1129 | 66000 | 103000 | 84000 | 103000 | 14200 | 1600 |
| NUTR45 | 45 | 85 | 32 | 30 | 55,2 | 0,6 | 1,1 | 883 | 56000 | 85000 | 31500 | 62000 | 11700 | 1400 |
| NUT45100 | 45 | 100 | 32 | 30 | 55,2 | 0,6 | 1,1 | 1396 | 72000 | 116000 | 106000 | 116000 | 16100 | 1400 |
| NUTR50 | 50 | 90 | 32 | 30 | 59,8 | 0,6 | 1,1 | 950 | 57000 | 88000 | 32500 | 63000 | 12200 | 1300 |
| NUTR50110 | 50 | 110 | 32 | 30 | 59,8 | 0,6 | 1,1 | 1690 | 76000 | 130000 | 128000 | 130000 | 17900 | 1300 |