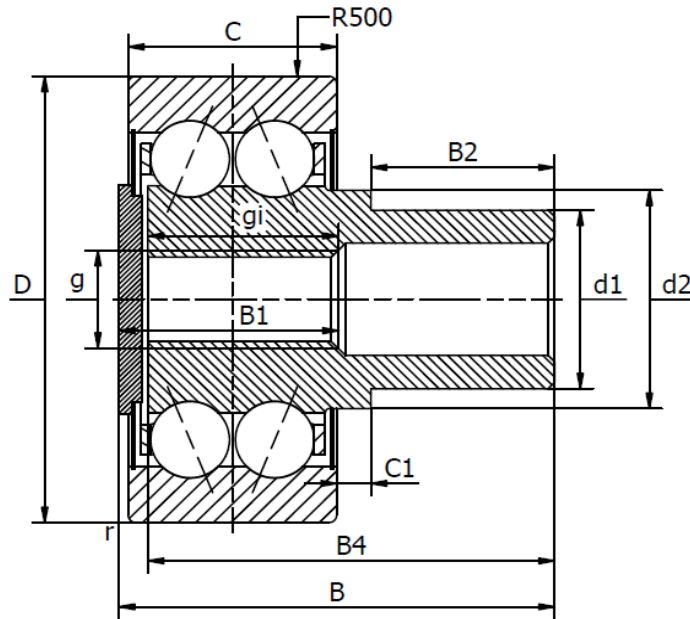




## ZL5200KRDU Series - Stud Type Track Rollers (ZL5200-DRS)

Double row, lip seal on one side. Curved outer race



### Legend:

- R:** Crowning radius.
- C<sub>rw</sub>:** Effective dynamic load rating as track roller (radial).
- C<sub>0rw</sub>:** Effective static load rating as track roller (radial).
- C<sub>urw</sub>:** Fatigue limit load.
- nDG:** Speed (with continuous operation and grease lubrication).

Product No.	Dimensions (mm)										Thread		Load rating(N)			nDG (1/min)	Weight (Kg)	
	D	d <sub>1</sub>	B	B <sub>1max</sub>	B <sub>2</sub>	B <sub>4</sub>	C	C <sub>1</sub>	d <sub>2</sub>	R	r <sub>min</sub>	g	gi	C <sub>rw</sub>	C <sub>0rw</sub>			C <sub>urw</sub>
ZL5201KRDU	35	14	33,2	19,5	14	31	15,9	2,6	17,1	500	0,6	M8	14	8700	5400	270	7500	0,09
ZL5202KRDU	40	16	36,2	20,5	16	34	15,9	3,5	20	500	0,6	M8	15	9900	6500	325	7000	0,12
ZL5203KRDU	47	18	39,5	21,5	18	37,5	17,5	3,5	22,9	500	0,6	M8	15	12800	8600	430	5500	0,19
ZL5204KRDU	52	20	45,3	25,5	20	43	20,6	4	26,8	500	1	M10	18	16100	11000	560	5000	0,25
ZL5205KRDU	62	25	50,4	25,5	25	47,5	20,6	4	30,3	500	1	M10	18	18800	13600	690	4500	0,38
ZL5206KRDU	72	30	59	29	30	56,5	23,8	4,5	37,3	500	1	M16	20	25000	18500	960	3500	0,55
ZL5207KRDU	80	35	69,2	33,5	36	66,5	2	5,5	42,4	500	1,1	M16	20	31000	23400	1230	2800	0,71