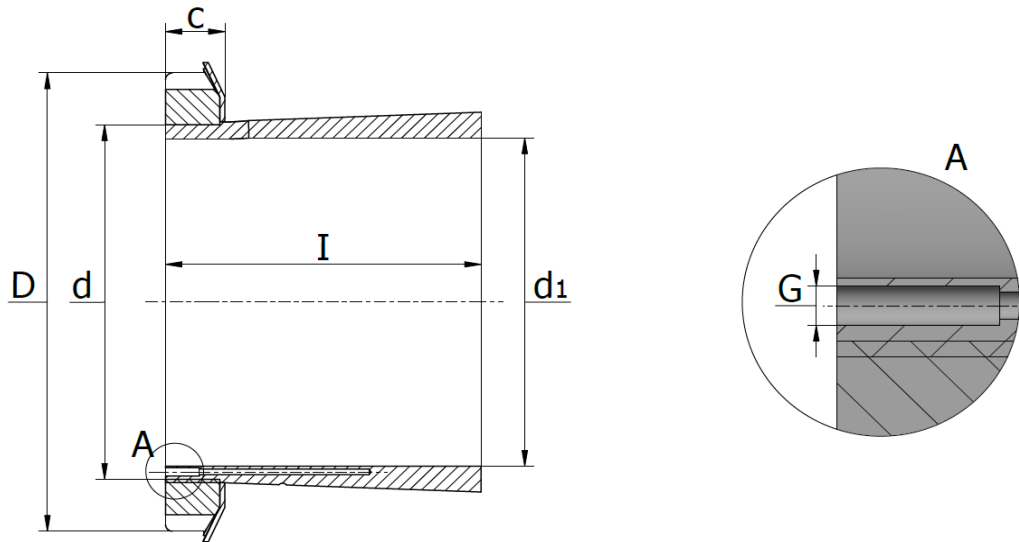




## H 2300 H Series (OH 2300 H)

hydraulic adapter sleeves for 23200 series spherical bearings, use with shaft tolerances h7, h8 and h9. Incl. lock nut and retaining ring



Product No.	Dimension (mm)						Nut	Lock Washer	G	Weight (kg)
	d <sub>1</sub>	d	d <sub>thread</sub>	I / L	D	c				
H 2332 H	140	160	M160x3	147	210	28	KM32	MB32	M6	9,3
H 2334 H	150	170	M170x3	154	220	29	KM34	MB34	M6	10,4
H 2336 H	160	180	M180x3	161	230	30	KM36	MB36	M6	11,6
H 2338 H	170	190	M190x3	169	240	31	KM38	MB38	M6	12,9
H 2340 H	180	200	M200x3	176	250	32	KM40	MB40	M6	14,2
H 2344 H	200	220	Tr220x4	186	280	35	HM44T	MB44	M6	17,8
H 2348 H	220	240	Tr240x4	199	300	37	HM48T	MB48	M6	20,9
H 2352 H	240	260	Tr260x4	211	330	39	HM52T	MB52	M6	25,7
H 2356 H	260	280	Tr280x4	224	350	41	HM56T	MB56	M6	29,8