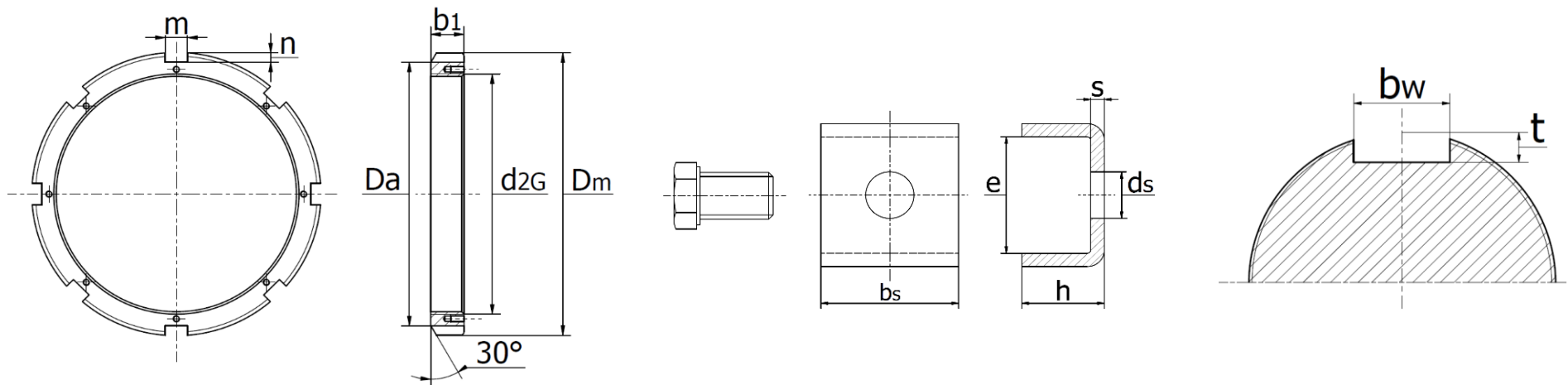




HMS 30.. Series Locknuts

Incl. Retaining brackets, main dimensions to DIN 981 & DIN 5406



| Product No. | Thread | Dimensions (mm) | | | | | | | | | | | Retainer bracket | | Locknut | Retainer | Weight (kg) | |
|-------------|-----------|-----------------|----------------|----------------|----------------|----|----|----------------|----|----|----------------|----------------|------------------|----------|---------|----------|-------------|-----------|
| | | d _{2G} | D _m | b ₁ | D _a | m | n | b _s | e | h | b _w | d _s | s | t | | | | Bolt (mm) |
| HMS 3044 | Tr220 x 4 | 260 | 30 | 242 | 20 | 9 | 20 | 13,5 | 12 | 22 | 7 | 4 | 9 | M6 x 10 | 10 | HM 3044 | MS 3044 | 3,24 |
| HMS 3048 | Tr240 x 4 | 290 | 34 | 270 | 20 | 10 | 20 | 17,5 | 12 | 22 | 9 | 4 | 9 | M8 x 16 | 25 | HM 3048 | MS 3048 | 5,16 |
| HMS 3052 | Tr260 x 4 | 310 | 34 | 290 | 20 | 10 | 20 | 17,5 | 12 | 26 | 9 | 4 | 9 | M8 x 16 | 25 | HM 3052 | MS 3048 | 5,58 |
| HMS 3056 | Tr280 x 4 | 330 | 38 | 310 | 24 | 10 | 24 | 17,5 | 12 | 26 | 9 | 4 | 9 | M8 x 16 | 25 | HM 3056 | MS 3056 | 6,65 |
| HMS 3060 | Tr300 x 4 | 360 | 42 | 336 | 24 | 12 | 24 | 20,5 | 12 | 26 | 9 | 4 | 9 | M8 x 16 | 25 | HM 3060 | MS 3060 | 9,52 |
| HMS 3064 | Tr320 x 5 | 380 | 42 | 356 | 24 | 12 | 24 | 21 | 15 | 26 | 9 | 5 | 10 | M8 x 16 | 25 | HM 3064 | MS 3064 | 10,50 |
| HMS 3068 | Tr340 x 5 | 400 | 45 | 376 | 24 | 12 | 24 | 21 | 15 | 26 | 9 | 5 | 10 | M8 x 16 | 25 | HM 3068 | MS 3064 | 11,80 |
| HMS 3072 | Tr360 x 5 | 420 | 45 | 394 | 28 | 13 | 28 | 20 | 15 | 30 | 9 | 5 | 10 | M8 x 16 | 25 | HM 3072 | MS 3072 | 12,20 |
| HMS 3076 | Tr380 x 5 | 450 | 48 | 422 | 28 | 14 | 28 | 24 | 15 | 30 | 12 | 5 | 10 | M10 x 20 | 51 | HM 3076 | MS 3076 | 16,30 |
| HMS 3080 | Tr400 x 5 | 470 | 52 | 442 | 28 | 14 | 28 | 24 | 15 | 30 | 12 | 5 | 10 | M10 x 20 | 51 | HM 3080 | MS 3076 | 18,60 |
| HMS 3084 | Tr420 x 5 | 490 | 52 | 462 | 32 | 14 | 32 | 24 | 15 | 34 | 12 | 5 | 10 | M10 x 20 | 51 | HM 3084 | MS 3084 | 19,30 |
| HMS 3088 | Tr440 x 5 | 520 | 60 | 490 | 32 | 15 | 32 | 28 | 15 | 34 | 14 | 5 | 10 | M12 x 22 | 87 | HM 3088 | MS 3088 | 26,10 |
| HMS 3092 | Tr460 x 5 | 540 | 60 | 510 | 32 | 15 | 32 | 28 | 15 | 34 | 14 | 5 | 10 | M12 x 22 | 87 | HM 3092 | MS 3088 | 27,80 |
| HMS 3096 | Tr480 x 5 | 560 | 60 | 530 | 36 | 15 | 36 | 28 | 15 | 38 | 14 | 5 | 12 | M12 x 22 | 87 | HM 3096 | MS 3096 | 28,80 |