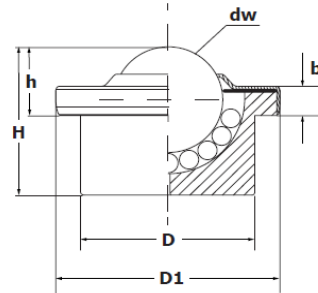
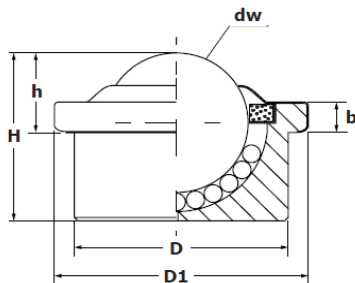


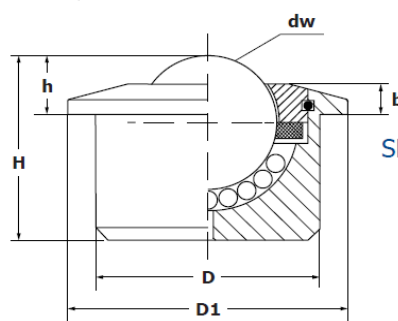
SPM 12



SPM 15



SPM 25



SPM 22/30/45

Item No.	Description	Dimensions (mm)					b	Load Carrying Capacity (kg) ↓/↑
		dw	D	D1	h	H		
SPM12A	Steel ball bearing	12	22	27	8,0	16,8	5,0	20/15
SPM15A	Steel ball bearing	15	24	31	9,5	21,0	5,5	50/35
SPM22A	Steel ball bearing	22	36	45	9,8	30,5	4,5	180/125
SPM25A	Steel ball bearing	25	38	45	14,0	30,2	8,5	180/125
SPM30A	Steel ball bearing	30	45	55	13,8	36,8	8,0	350/250
SPM45A	Steel ball bearing	45	62	75	19,0	53,5	10,0	600/420
SPM12B	Zinc plated housing	12	22	27	8,0	16,8	5,0	20 / 15
SPM15B	Zinc plated housing	15	24	31	9,5	21,0	5,5	50 / 35
SPM22B	Zinc plated housing	22	36	45	9,8	30,5	4,5	180 / 125
SPM25B	Zinc plated housing	25	38	45	14,0	30,2	8,5	180 / 125
SPM30B	Zinc plated housing	30	45	55	13,8	36,8	8,0	350 / 250
SPM45B	Zinc plated housing	45	62	75	19,0	53,5	10,0	600 / 420
SPM12C	Stainless steel bearing, zinc plated housing	12	22	27	8,0	16,8	5,0	15 / 10
SPM15C	Stainless steel bearing, zinc plated housing	15	24	31	9,5	21,0	5,5	40 / 25
SPM22C	Stainless steel bearing, zinc plated housing	22	36	45	9,8	30,5	4,5	130 / 90
SPM25C	Stainless steel bearing, zinc plated housing	25	38	45	14,0	30,2	8,5	130 / 90
SPM30C	Stainless steel bearing, zinc plated housing	30	45	55	13,8	36,8	8,0	240 / 170
SPM45C	Stainless steel bearing, zinc plated housing	45	62	75	19,0	53,5	10,0	400 / 280
SPM12SS	Stainless steel bearing and housing	12	22	27	8,0	16,8	5,0	15 / 10
SPM15SS	Stainless steel bearing and housing	15	24	31	9,5	21,0	5,5	40 / 25
SPM22SS	Stainless steel bearing and housing	22	36	45	9,8	30,5	4,5	130 / 90
SPM25SS	Stainless steel bearing and housing	25	38	45	14,0	30,2	8,5	130 / 90
SPM30SS	Stainless steel bearing and housing	30	45	55	13,8	36,8	8,0	240 / 170
SPM45SS	Stainless steel bearing and housing	45	62	75	19,0	53,5	10,0	400 / 280

Other versions are available on request.