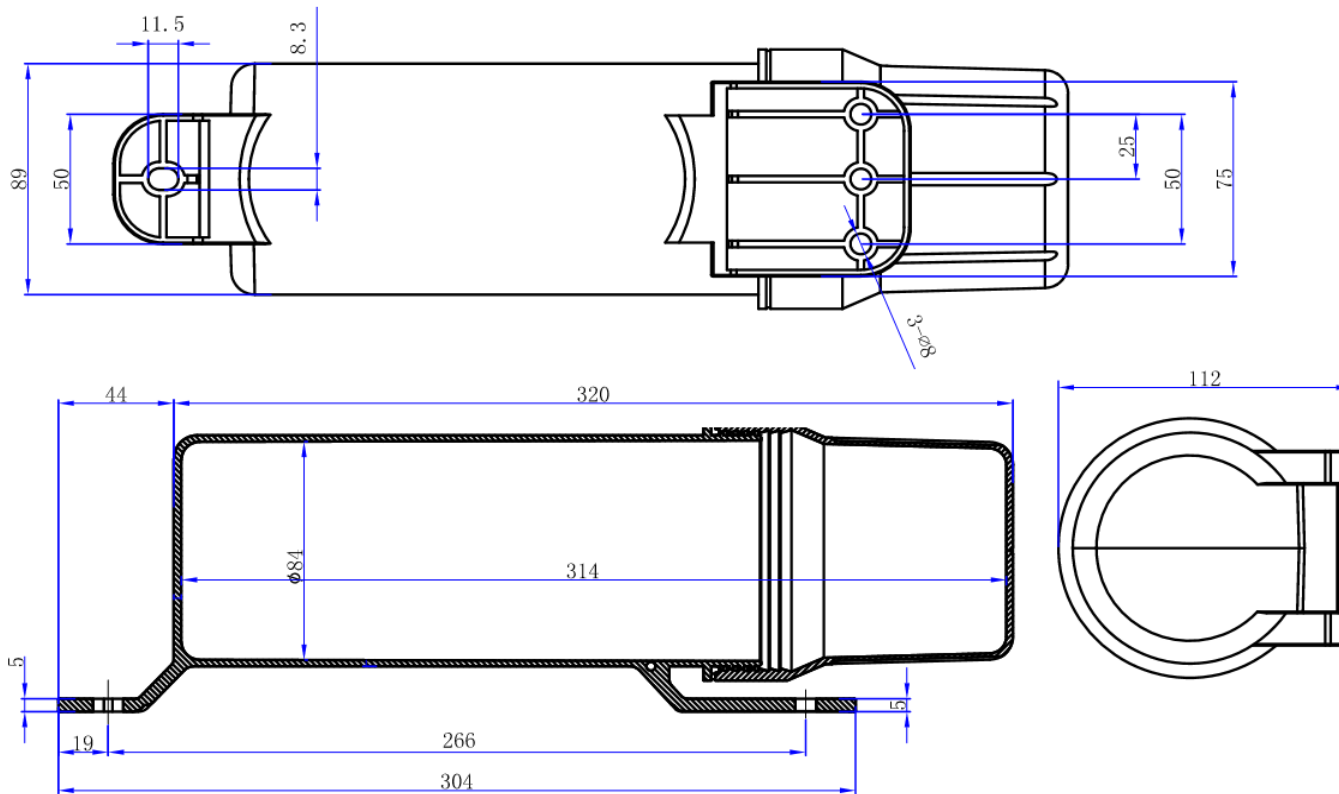




Manual Holder / Tool Tube

Waterproof canister with threaded endcap, polypropylene (HDPE) with neoprene seal.



Characteristics

This manual or tool holder has a neopren seal in the lid to prevent any water from entering the tube.

With this canister you are able to have the operation manuals or smaller tools in arms reach, thus saving time and money.

The canister can be mounted on a big range of machines and vehicles, for example in the agriculture industry, ATV's, boats, motorbikes and more.

Pictograph in bright yellow.

Material Polypropylene (HDPE).