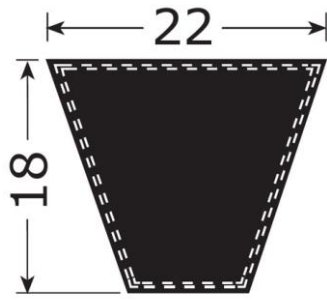




SPC - Wrapped V-Belt

Oil and heat resistant, antistatic, DIN 7753 / ISO 4184. Temperature from -40°C to +70°C.



Li: Inner length / La: Outer length = Li + 113 mm

Item No.	Li (mm)	Item No.	Li (mm)	Item No.	Li (mm)
SPC 2000	1917	SPC 4000	3917	SPC 6300	6217
SPC 2120	2037	SPC 4100	4017	SPC 6700	6617
SPC 2240	2157	SPC 4250	4167	SPC 7100	7017
SPC 2360	2277	SPC 4300	4217	SPC 7500	7417
SPC 2500	2417	SPC 4380	4277	SPC 8000	7917
SPC 2650	2567	SPC 4500	4417	SPC 8500	8417
SPC 2800	2717	SPC 4750	4667	SPC 9000	8917
SPC 3000	2917	SPC 4900	4817	SPC 9500	9417
SPC 3150	3067	SPC 5000	4917	SPC 10000	9917
SPC 3350	3267	SPC 5300	5217	SPC 10600	10517
SPC 3500	3417	SPC 5500	5417	SPC 11200	11117
SPC 3550	3467	SPC 5600	5517	SPC 11800	11717
SPC 3750	3667	SPC 6000	5917	SPC 12500	12417
				SPC 14000	13917