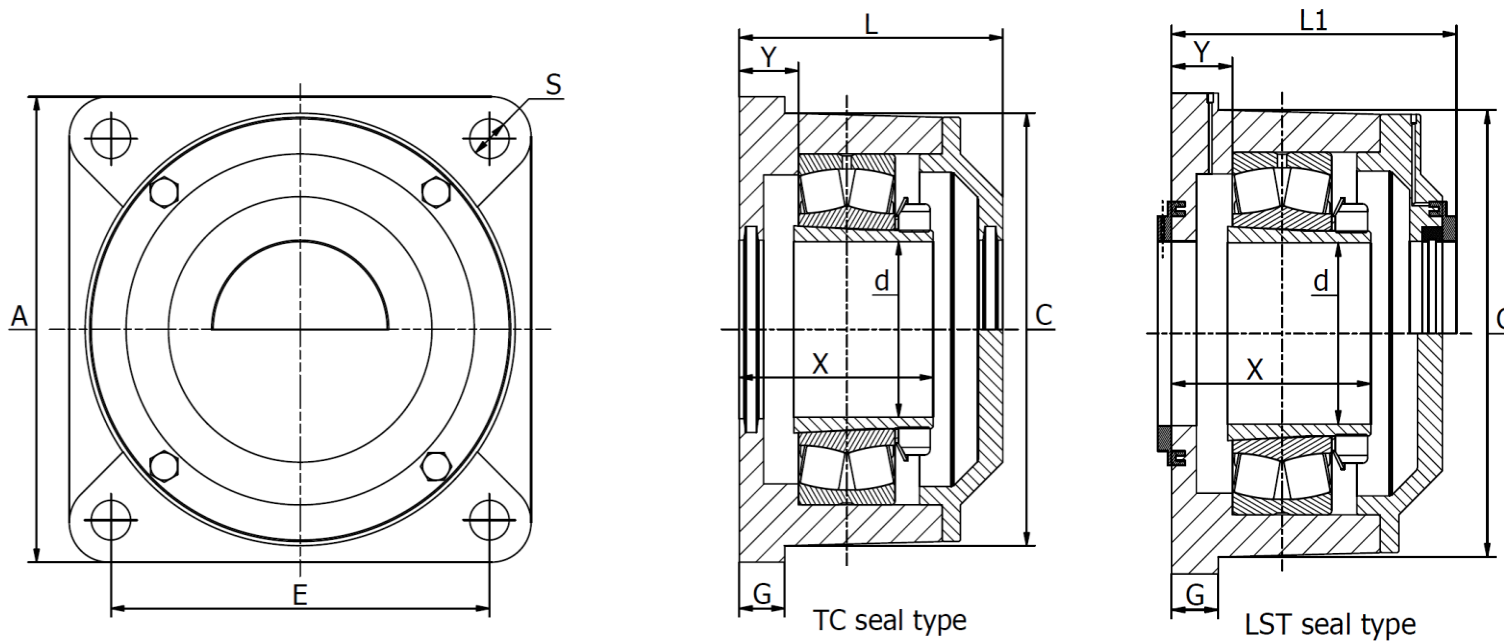




Flanged Bearing Housings - FCM 500 Series

for self aligning ball or roller bearings with adapter sleeve, available with felt seals (TC) or labyrinth seals (LST), closed (A) and open (B) covers.



Housing No.	Dimensions (mm)										Weight (kg)	Bearing No.	Adapter Sleeve	Locating Ring	
	d	A	E	C	G	L (TC)	L1 (LST)	X	Y	S				Size	Qty
FCM 522	100	270	219	246	25	156	171	133	32	22	25,8	1222 K	H 222	200*21	2
												2222 K	H 322	200*13,5	2
												22222K	H 322	200*13,5	2
												23222K	H 2322	200*10,5	1
FCM 524*	110	280	230	260	28	165	183	141	35	26	29	22224 K	H 3124	215*14	2
												23224 K	H 2324	215*10	1
FCM 526*	115	305	250	284	30	174	192	150	39	26	35	22226 K	H 3126	230*13	2
												23226 K	H 2326	230*10	1
FCM 528*	125	330	270	300	30	186	204	162	43	26	42	22228 K	H 3128	250*15	2
												23228 K	H 2328	250*10	1
FCM 530*	135	350	290	320	40	183	201	170	39	32	48,4	22230 K	H 3130	270*16,5	2
												23230 K	H 2330	270*10	1
FCM 532*	140	370	300	340	42	197	215	180	38	32	56,4	22232 K	H 3132	290*17	2
												23232 K	H 2332	290*10	1

* Only available on request, expect delivery and production time, contact us for more information.

For FCM 506-520 models, see our alternative 722500 series here:

<https://pti.eu/pdf/lejhuse/722500.pdf>