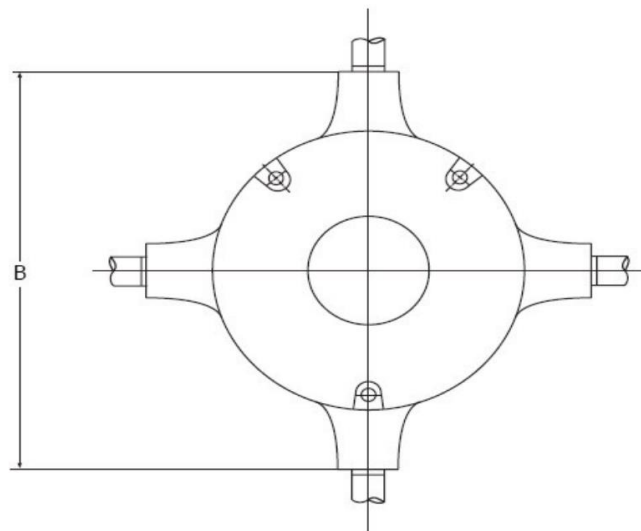
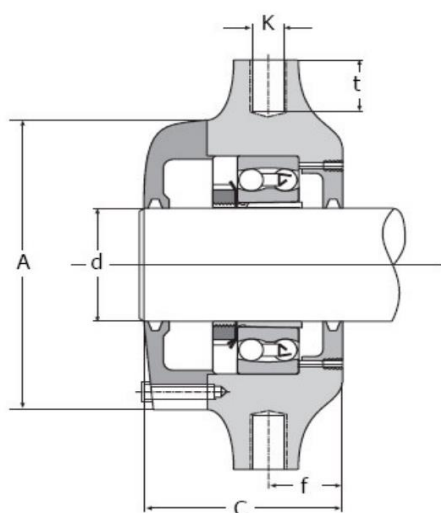




SBL Series - Tension Bearing Housings

for self aligning ball bearings with adapter sleeve. Incl felt-seal



Part No.	Dimensions (mm)							Quantity	Matching Bearing	Matching Adapter sleeve	Weight (kg)
	d	A	B	C	t	f	K				
SBL 25	25	100	150	70	22	29	R 3/8"	4	1306 K	H 306	2,3
SBL 30	30	120	170	75	25	30	R 1/2"	3	1307 K	H 307	2,7
SBL 40	40	140	190	85	28	32	R 1/2"	4	1309 K	H 309	3,8
SBL 50	50	160	210	95	28	40	R 1/2"	4	1311 K	H 311	5,5
SBL 60	60	185	250	110	32	42	R 1"	4	1313 K	H 313	9,3
SBL 70	70	205	290	130	40	48	R 1"	4	2316 K	H 2316	14,0