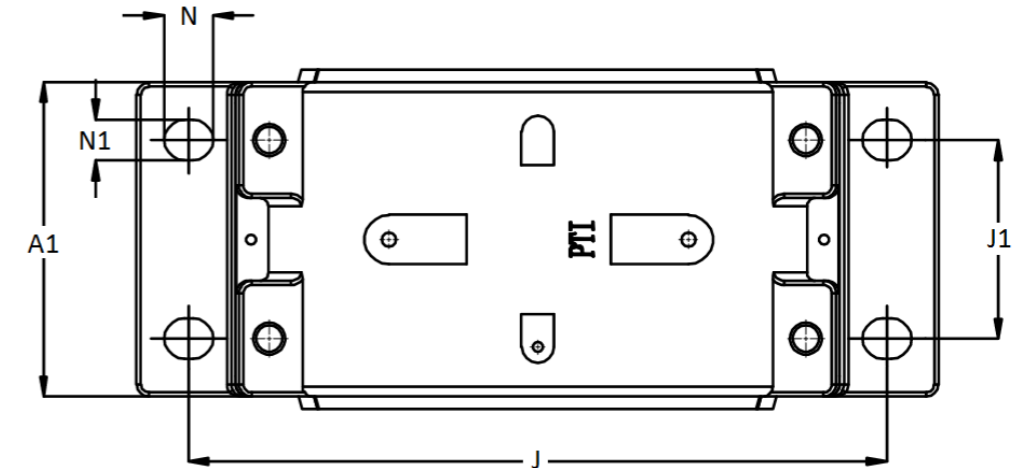
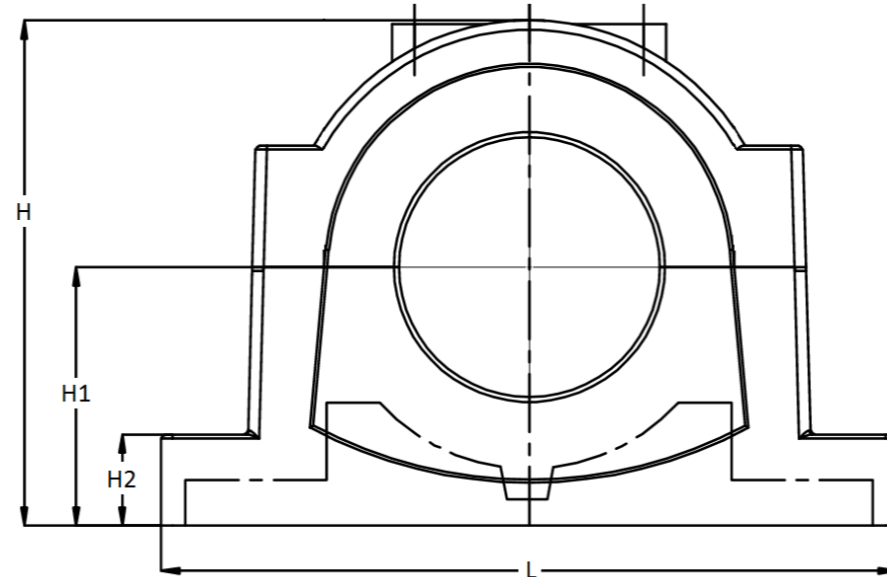
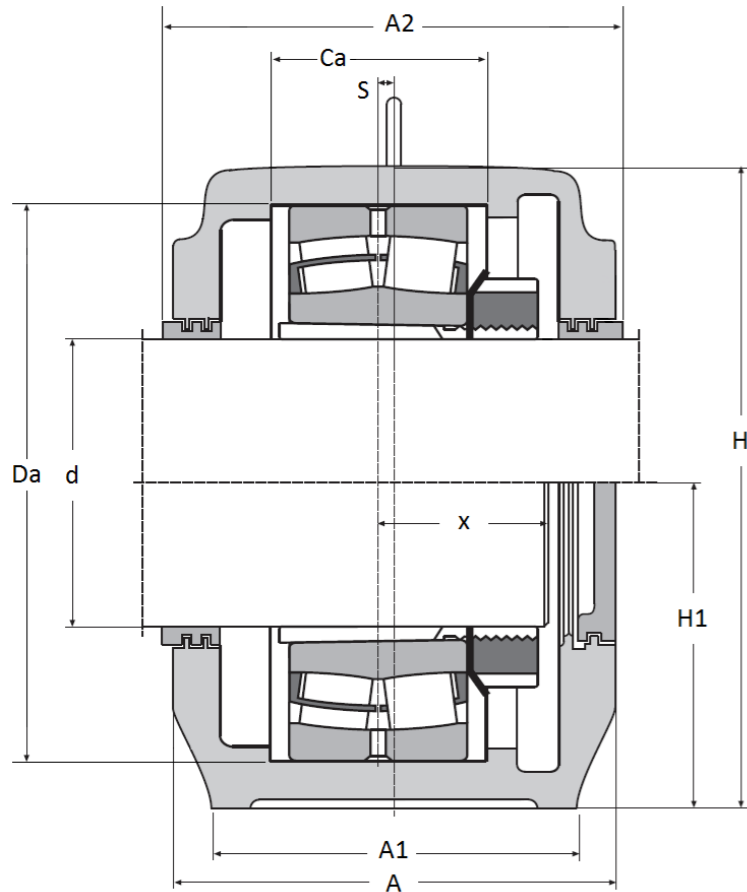


### SD 3200 TS Series - Split Plummer Block Housings (SNL 3200 TS)

for spherical roller bearings on adapter sleeves, labyrinth seal, cast iron GG 20, incl. eye bolt.



Housing No.	Shaft d	Da	Ca	Dimensions (mm)													Mount. Bolt	Weight (kg)	Labyrinth Seals	Bearing	Adapter Sleeve	Fixing Rings	End cover	Grease Qty First filling
				A	A <sub>1</sub>	A <sub>2</sub>	H	H <sub>1</sub>	H <sub>2</sub>	L	J	J <sub>1</sub>	x <sub>max</sub>	N	N <sub>1</sub>	S								
SD 3234 TS	150	310	122	260	210	270	375	190	80	560	480	120	112	34	28	10	M24	97,5	TS 40-150	23234 K	H 2334	2 x FR 310-6	ETS 44	1,9 kg
SD 3236 TS	160	320	124	260	210	270	375	190	80	560	480	120	112	34	28	10	M24	97,5	TS 38-160	23236 K	H 2336	2 x FR 320-6	ETS 38	1,9 kg
SD 3238 TS	170	340	132	280	230	290	411	210	85	610	510	130	122	42	35	10	M30	123	TS 40-170	23238 K	H 2338	2 x FR 340-6	ETS 44	2,2 kg
SD 3240 TS	180	360	140	290	240	300	434	220	90	640	540	140	128	42	35	12	M30	139	TS 48-180	23240 K	H 2340	2 x FR 360-6	ETS 48	2,5 kg
SD 3244 TS	200	400	148 (164)*	310	260	315	474	240	95	700	600	150	136	42	35	12	M30	187	TS 48-200	23244 K	H 2344	2 x FR 400-10**	ETS 52	3,0 kg
SD 3248 TS	220	440	164 (180)*	320	280	330	516	260	100	770	650	160	146	50	42	13	M36	221	TS 52-220	23248 K	H 2348	2 x FR 440-10**	ETS 52	3,8 kg
SD 3252 TS	240	480	181 (194)*	350	310	360	591	300	110	830	710	190	170	50	42	22	M36	301	TS 64-240	23252 K	H 2352	2 x FR 480-10**	ETS 64	5,6 kg
SD 3256 TS	260	500	180 (196)*	350	310	360	591	300	110	830	710	190	170	50	42	22	M36	301	TS 60-260	23256 K	H 2356	2 x FR 500-10**	ETS 60	5,6 kg
SD 3260 TS	280	540	196 (212)*	370	330	380	631	320	115	880	750	200	181	50	42	23	M36	339	TS 64-280	23260 K	H 3260	2 x FR 540-10**	ETS 64	6,9 kg
SD 3264 TS	300	580	228 (210)*	400	360	410	675	340	120	950	810	220	197	50	42	24	M36	430	TS 68-300	23264 K	H 3264	2 x FR 580-10	ETS 68	8,6 kg
SD 3268 TS	320	620	234 (214)*	400	360	410	715	360	120	1040	870	220	203	50	42	30	M36	529,1	TS 76-320	23268 K	H 3268	2 x FR 620-5	ETS 76	8,4 kg

\* C<sub>a</sub> dimension narrower than standard, can be used without fixing rings or special narrower rings. For wider dimensions marked in parenthesis, please request an offer.

\*\* only for wide Ca versions as mentioned above.

These Housings can also be manufactured of ductile iron or cast steel. Special kevlar or felt seals on request.