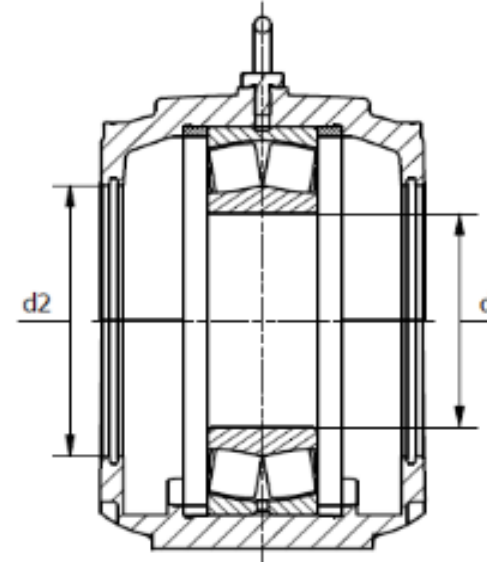
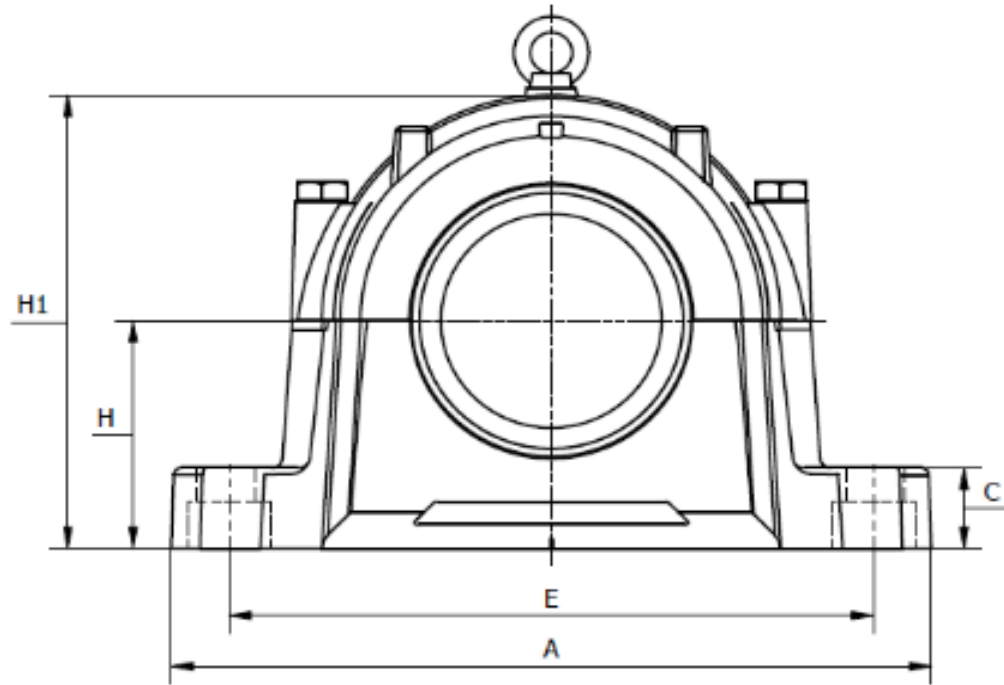
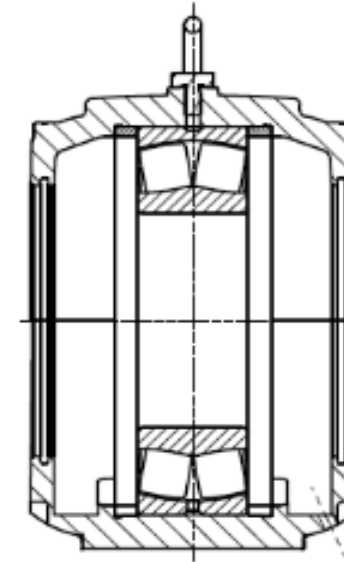


SN 300 Series - Plummer block housings (split)

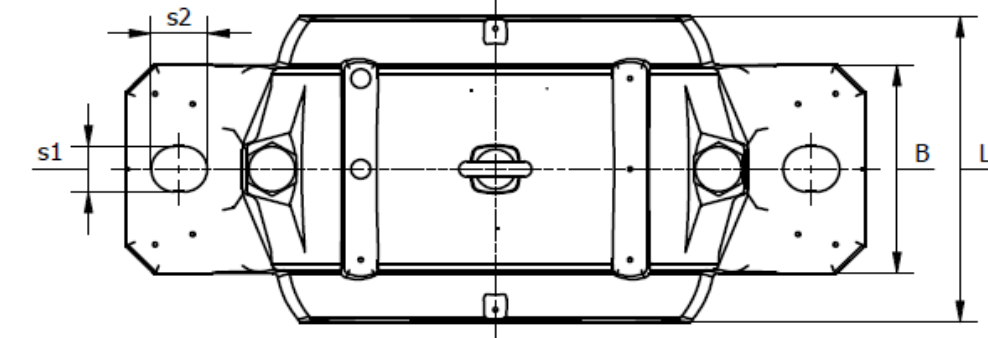
For spherical ball and roller bearings on a cylindrical shaft, felt seals included, cast iron GG 20, M10x1 grease bore thread. Also available in ductile iron (GGG), with lubricating and grease outlet holes and grease quantity regulator.



Without lubrication and grease outlet holes



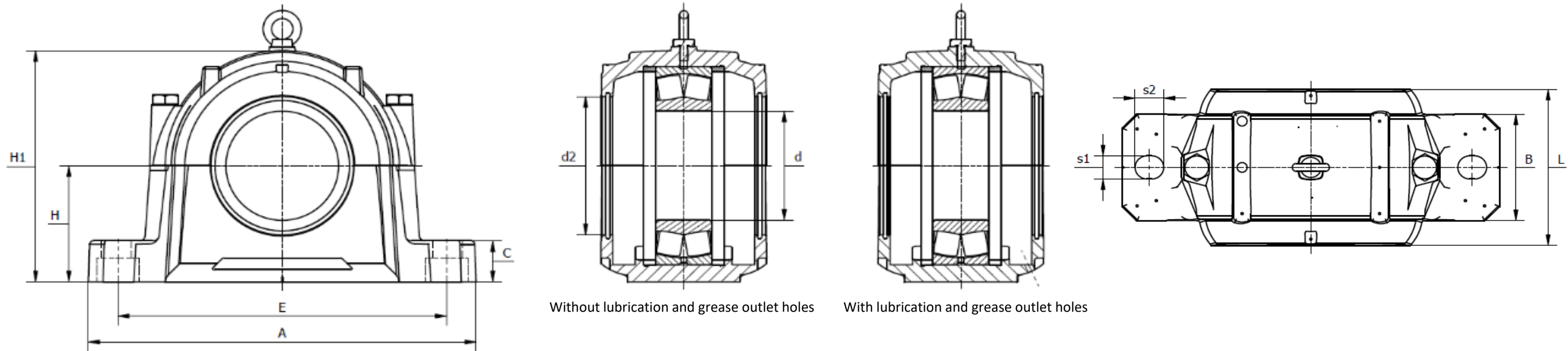
With lubrication and grease outlet holes



Part No.	Shaft size d (mm)	Dimensions (mm)										Mounting Bolt	Bearings	Fixing rings	Housing No.	End cover	Weight (kg)
		d2	A	E	L	B	H1	H	C	s1	s2						
SN 304	20	25	165	130	70	46	75	40	19	15	20	M12	1304	2 x FR 52-7	SN 304	Optional	1,40
													2304	1 x FR 52-8			
													21304	1 x FR 52-8			
SN 305	25	30	185	150	80	52	90	50	22	15	20	M12	1305	2 x FR 62-8,5	SN 305	ASNH505	1,60
													2305	1 x FR 62-10			
													21305	2 x FR 62-8,5			
SN 306	30	35	185	150	82	52	95	50	22	15	20	M12	1306	2 x FR 72-9	SN 306	ASNH506-605	1,80
													2306	1 x FR 72-10			
													21306	2 x FR 72-9			
SN 307	35	45	205	170	90	60	110	60	25	15	20	M12	1307	2 x FR 80-10	SN 307	ASNH507-606	2,60
													2307	1 x FR 80-10			
													21307	2 x FR 80-10			
SN 308	40	50	205	170	95	60	115	60	25	15	20	M12	1308	2 x FR 90-10	SN 308	ASNH509	2,90
													2308	1 x FR 90-10			
													21308	2 x FR 90-10			
													22308	1 x FR 90-10			

SN 300 Series - Plummer block housings (split)

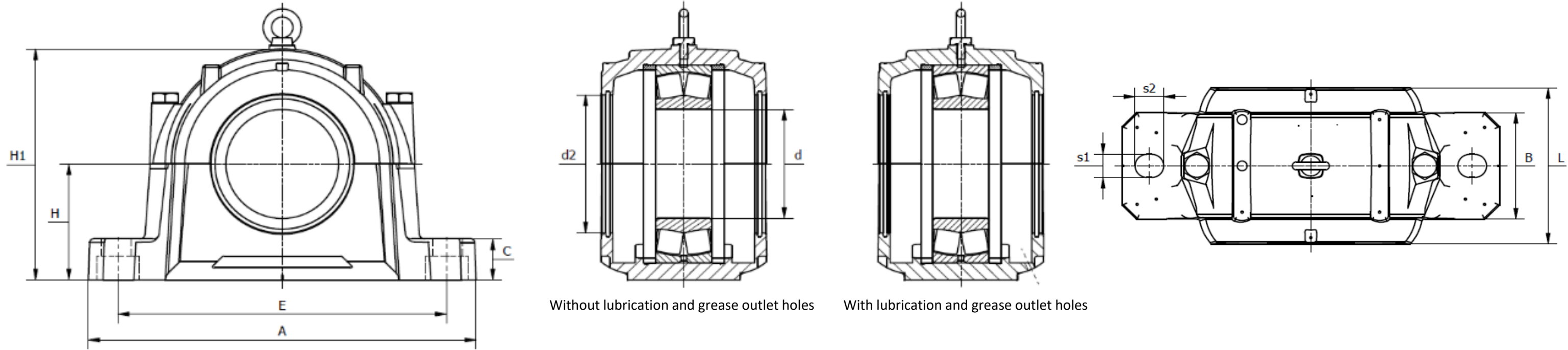
For spherical ball and roller bearings on a cylindrical shaft, felt seals included, cast iron GG 20, M10x1 grease bore thread. Also available in ductile iron (GGG), with lubricating and grease outlet holes and grease quantity regulator.



Part No.	Shaft size d (mm)	d2	Dimensions (mm)								Mounting Bolt	Bearings	Fixing rings	Housing No.	End cover	Weight (kg)	
			A	E	L	B	H1	H	C	s1							s2
SN 309	45	55	255	210	105	70	130	70	28	18	23	M16	1309	2 x FR 100-10,5	SN 309	ASNH510-608	4,10
													2309	1 x FR 100-10			
													21309	2 x FR 100-10,5			
													22309	1 x FR 100-10			
SN 310	50	60	255	210	115	70	135	70	30	18	23	M16	1310	2 x FR 110-11,5	SN 310	ASNH511-609	4,70
													2310	1 x FR 110-10			
													21310	2 x FR 110-11,5			
													22310	1 x FR 110-10			
SN 311	55	65	275	230	120	80	150	80	30	18	23	M16	1311	2 x FR 120-12	SN 311	ASNH512-610	5,80
													2311	1 x FR 120-10			
													21311	2 x FR 120-12			
													22311	1 x FR 120-10			
SN 312	60	70	280	230	125	80	155	80	30	18	23	M16	1312	2 x FR 130-12,5	SN 312	ASNH513-611	6,50
													2312	1 x FR 130-10			
													21312	2 x FR 130-12,5			
													22312	1 x FR 130-10			
SN 313	65	75	315	260	130	90	175	95	32	22	27	M20	1313	2 x FR 140-12,5	SN 313	Optional	8,70
													2313	1 x FR 140-10			
													21313	2 x FR 140-12,5			
													22313	1 x FR 140-10			

SN 300 Series - Plummer block housings (split)

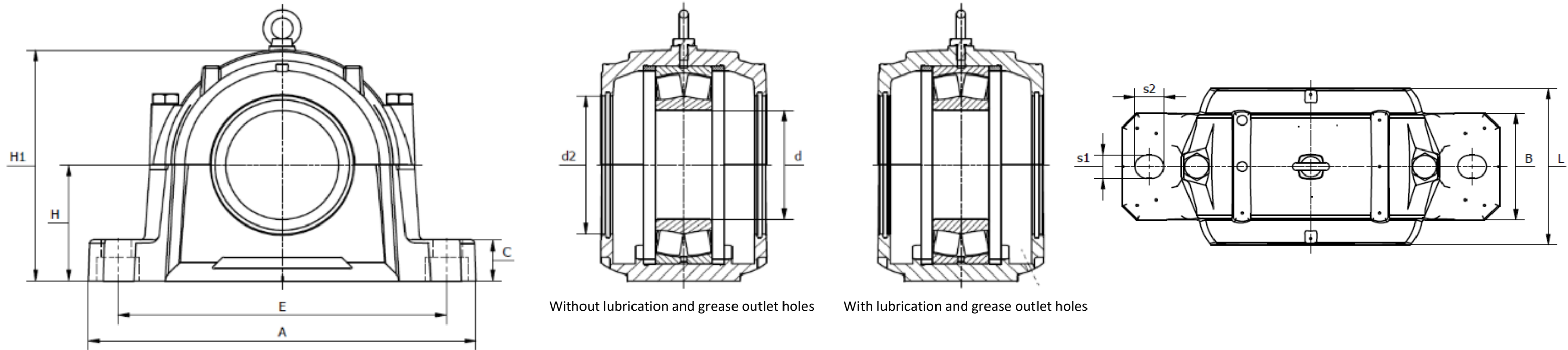
For spherical ball and roller bearings on a cylindrical shaft, felt seals included, cast iron GG 20, M10x1 grease bore thread. Also available in ductile iron (GGG), with lubricating and grease outlet holes and grease quantity regulator.



Part No.	Shaft size d (mm)	Dimensions (mm)								Mounting		Bearings	Fixing Rings	Housing No.	End cover	Weight (kg)	
		d2	A	E	L	B	H1	H	C	s1	s2						Bolt
SN 314	70	80	320	260	130	90	185	95	32	22	27	M20	1314	2 x FR 150-13	SN 314	ASNH515-612	10,00
													2314	1 x FR 150-10			
													21314	2 x FR 150-13			
													22314	1 x FR 150-10			
SN 315	75	85	345	290	140	100	195	100	35	22	27	M20	1315	2 x FR 160-14	SN 315	ASNH516-613	11,30
													2315	1 x FR 160-10			
													21315	2 x FR 160-14			
													22315	1 x FR 160-10			
SN 316	80	90	345	290	145	100	210	112	35	22	27	M20	1316	2 x FR 170-14,5	SN 316	ASNH517	12,60
													2316	1 x FR 170-10			
													21316	2 x FR 170-14,5			
													22316	1 x FR 170-10			
SN 317	85	95	380	320	155	110	215	112	40	26	32	M24	1317	2 x FR 180-14,5	SN 317	ASNH518-615	15,00
													2317	1 x FR 180-10			
													21317	2 x FR 180-14,5			
													22317	1 x FR 180-10			
SN 318	90	105	400	320	160	110	230	112	33	26	35	M24	1318	2 x FR 190-15,5	SN 318	Optional	18,60
													2318	1 x FR 190-10			
													21318	2 x FR 190-15,5			
													22318	1 x FR 190-10			

SN 300 Series - Plummer block housings (split)

For spherical ball and roller bearings on a cylindrical shaft, felt seals included, cast iron GG 20, M10x1 grease bore thread. Also available in ductile iron (GGG), with lubricating and grease outlet holes and grease quantity regulator.



Part No.	Shaft size d (mm)	d2	Dimensions (mm)								Mounting bolt	Bearings	Fixing Rings	Housing No.	End cover	Weight (kg)	
			A	E	L	B	H1	H	C	s1							s2
SN 319	95	110	410	250	170	120	240	125	45	26	32	M24	1319	2 x FR 200-16	SN 319	Optional	21,50
													2319	1 x FR 200-10			
													21319	2 x FR 200-16			
													22319	1 x FR 200-10			
SN 320	100	115	410	250	175	120	315	140	45	26	32	M24	1320	2 x FR 215-18	SN 320	Optional	24,60
													2320	1 x FR 215-10			
													21320	2 x FR 215-18			
													22320	1 x FR 215-10			
SN 322	110	125	450	390	190	130	340	150	50	26	35	M24	20322	2 x FR 240-20	SN 322	ASNH519-616	31,40
													21322	2 x FR 240-20			
													22322	1 x FR 240-10			
SN 324	120	135	530	450	200	160	370	160	60	35	42	M30	20324	2 x FR 260-20,5	SN 324	ASNH522-619	47,20
													22324	1 x FR 260-10			
SN 326	130	150	550	470	210	160	390	170	60	35	42	M30	20326	2 x FR 280-22,5	SN 326	Optional	55,00
													22326	1 x FR 280-10			