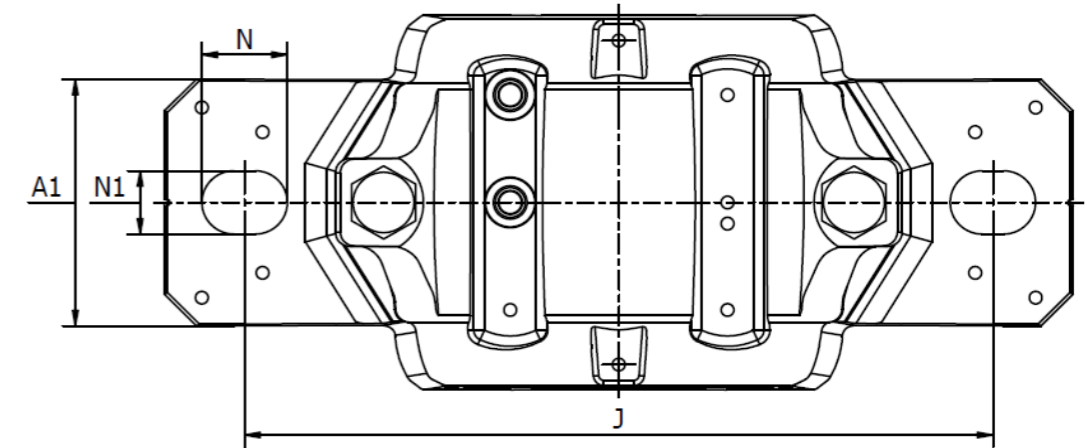
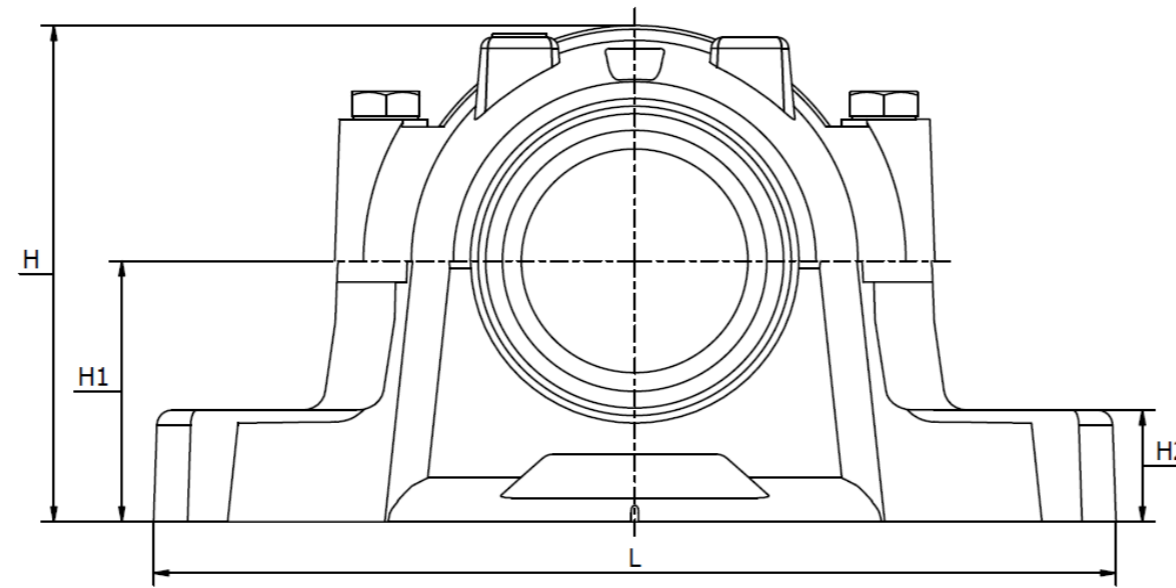
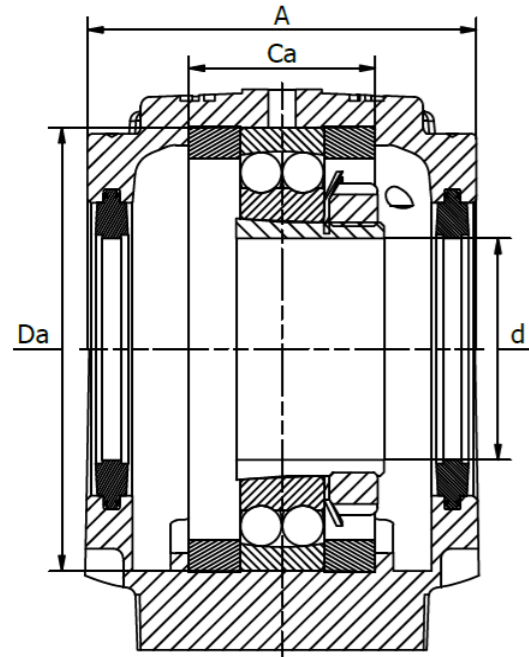


SNF 500 Series - Plummer block housings (SNH)

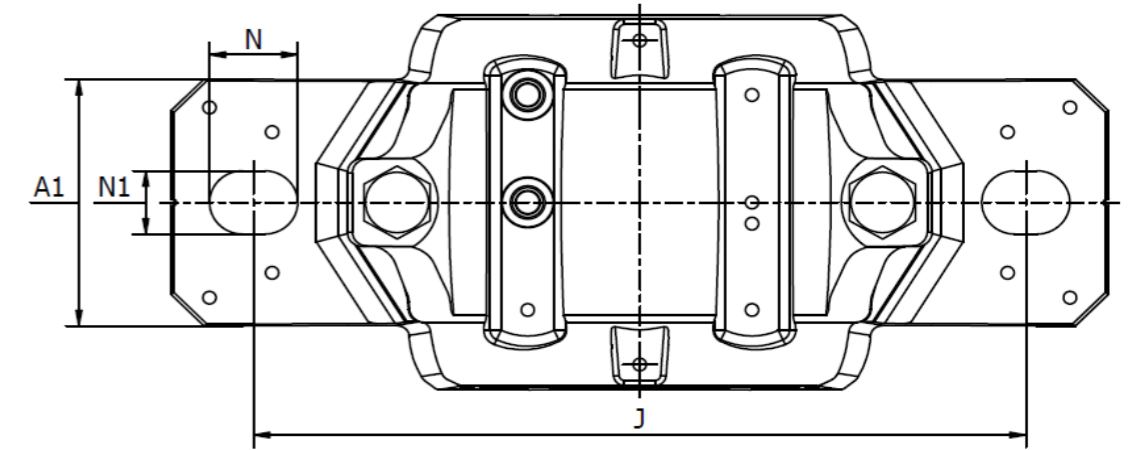
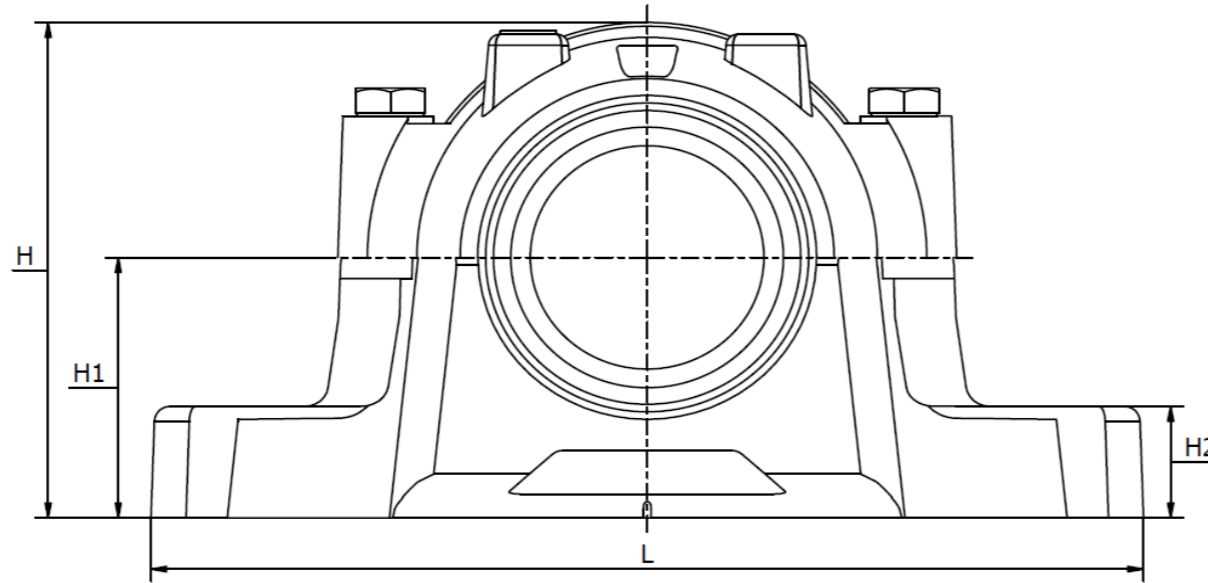
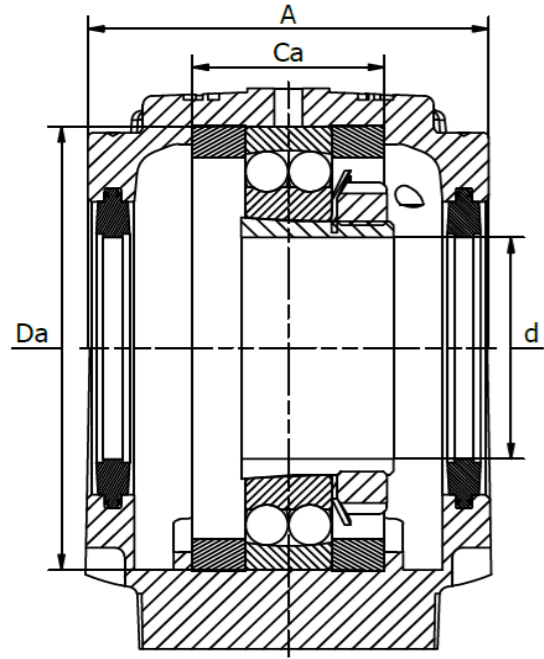
For spherical ball and roller bearings on adapter sleeves, equipped with felt seals, cast iron GG 20.



Part No.	Shaft size d (mm)	Dimensions (mm)											Mounting Bolt	Bearings	Adapter Sleeves	Fixing Rings	Housing No.	End cover	Weight (kg)
		A	A1	Ca	Da	H	H1	H2	J	L	N	N1							
SNF 505	20	67	46	25	52	74	40	19	130	165	20	15	M12	1205 K	H 205	2 x FR 52-5	SNF 505	DK505	1,45
														2205 K	H 305	2 x FR 52-3.5			
														22205 K	H 305	2 x FR 52-3.5			
SNF 506	25	77	52	32	62	89	50	22	150	185	20	15	M12	1206 K	H 206	2 x FR 62-8	SNF 506	DK506	2,00
														2206 K	H 306	2 x FR 62-6			
														22206 K	H 306	2 x FR 62-6			
SNF 507	30	82	52	34	72	93	50	22	150	185	20	15	M12	1207 K	H 207	2 x FR 72-8.5	SNF 507	DK507	2,20
														2207 K	H 307	2 x FR 72-5.5			
														22207 K	H 307	2 x FR 72-5.5			
SNF 508	35	85	60	39	80	107	60	25	170	205	20	15	M12	1208 K	H 208	2 x FR 80-10.5	SNF 508	DK508	2,90
														2208 K	H 308	2 x FR 80-8			
														22208 K	H 308	2 x FR 80-8			
SNF 509	40	85	60	30	85	109	60	25	170	205	20	15	M12	1209 K	H 209	2 x FR 85-5.5	SNF 509	DK509	2,90
														2209 K	H 309	2 x FR 85-3.5			
														22209 K	H 309	2 x FR 85-3.5			
SNF 510	45	90	60	41	90	113	60	25	170	205	20	15	M12	1210 K	H 210	2 x FR 90-10.5	SNF 510	DK510	3,20
														2210 K	H 310	2 x FR 90-9			
														22210 K	H 310	2 x FR 90-9			

SNF 500 Series - Plummer block housings (SNH)

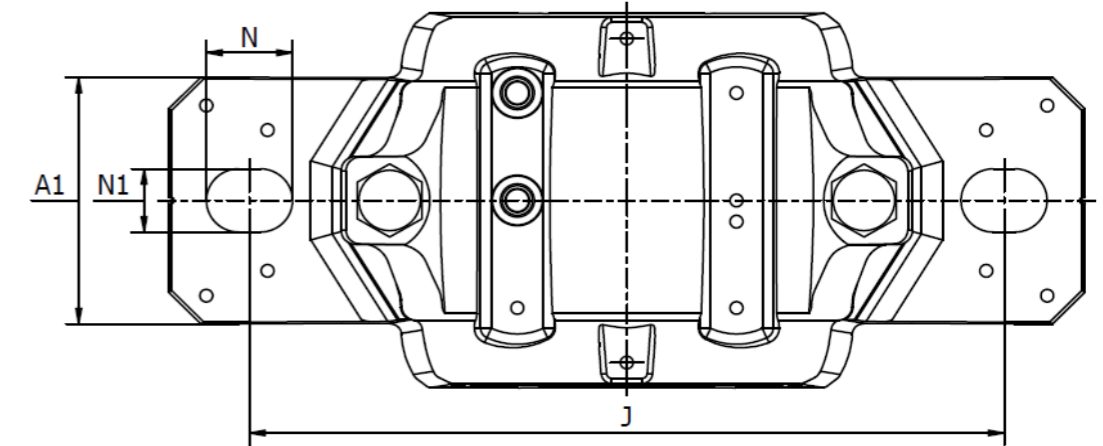
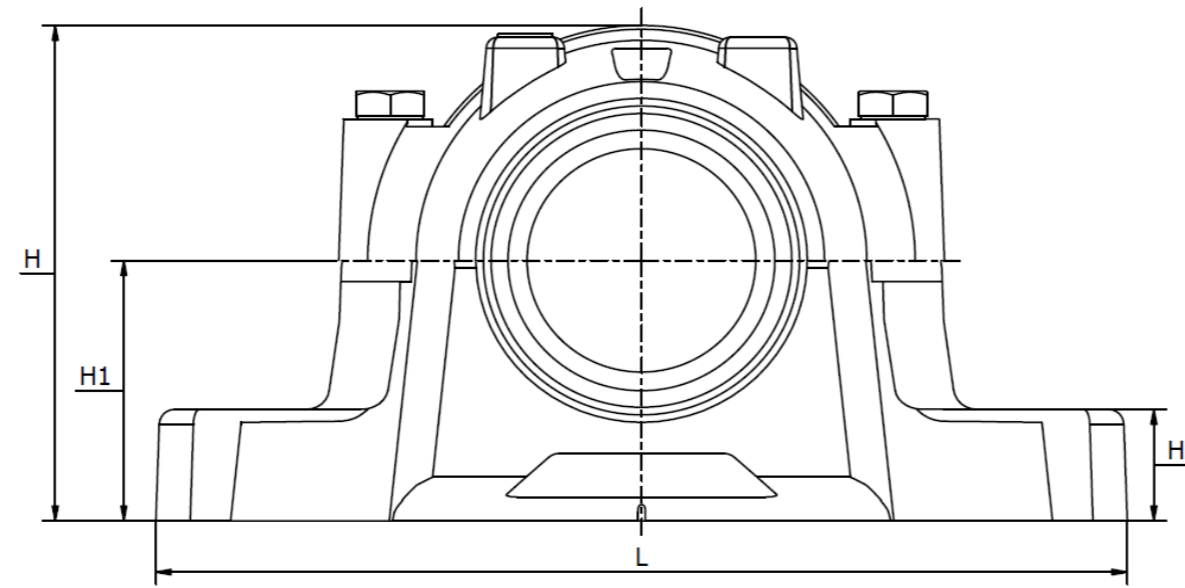
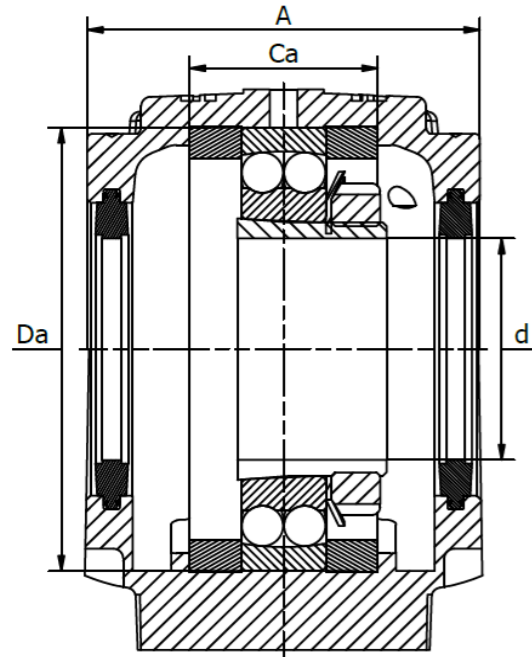
For spherical ball and roller bearings on adapter sleeves, equipped with felt seals, cast iron GG 20.



Part No.	Shaft size d (mm)	Dimensions (mm)											Mounting Bolt	Bearings	Adapter Sleeves	Fixing Rings	Housing No.	End cover	Weight (kg)
		A	A1	Ca	Da	H	H1	H2	J	L	N	N1							
SNF 511	50	95	70	44	100	127	70	28	210	255	24	18	M16	1211 K	H 211	2 x FR 100-11.5	SNF 511	DK511	4,40
														2211 K	H 311	2 x FR 100-9.5			
														22211 K	H 311	2 x FR 100-9.5			
SNF 512	55	105	70	48	110	133	70	30	210	255	24	18	M16	1212 K	H 212	2 x FR 110-13	SNF 512	DK512	5,10
														2212 K	H 312	2 x FR 110-10			
														22212 K	H 312	2 x FR 110-10			
SNF 513	60	110	80	51	120	148	80	30	230	275	24	18	M16	1213 K	H 213	2 x FR 120-14	SNF 513	DK513	6,50
														2213 K	H 313	2 x FR 120-10			
														22213 K	H 313	2 x FR 120-10			
SNF 515	65	115	80	56	130	154	80	30	230	280	24	18	M16	1215 K	H 215	2 x FR 130-15.5	SNF 515	DK515	7,00
														2215 K	H 315	2 x FR 130-12.5			
														22215 K	H 315	2 x FR 130-12.5			
SNF 516	70	120	90	58	140	175	95	32	260	315	28	22	M20	1216 K	H 216	2 x FR 140-16	SNF 516	DK516	9,50
														2216 K	H 316	2 x FR 140-12.5			
														22216 K	H 316	2 x FR 140-12.5			
SNF 517	75	125	90	61	150	183	95	32	260	320	28	22	M20	1217 K	H 217	2 x FR 150-16.5	SNF 517	DK517	10,00
														2217 K	H 317	2 x FR 150-12.5			
														22217 K	H 317	2 x FR 150-12.5			

SNF 500 Series - Plummer block housings (SNH)

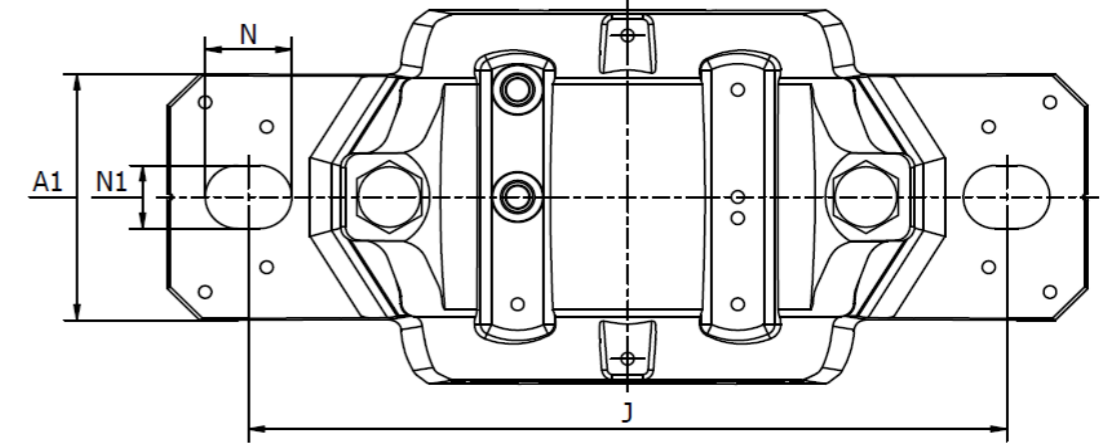
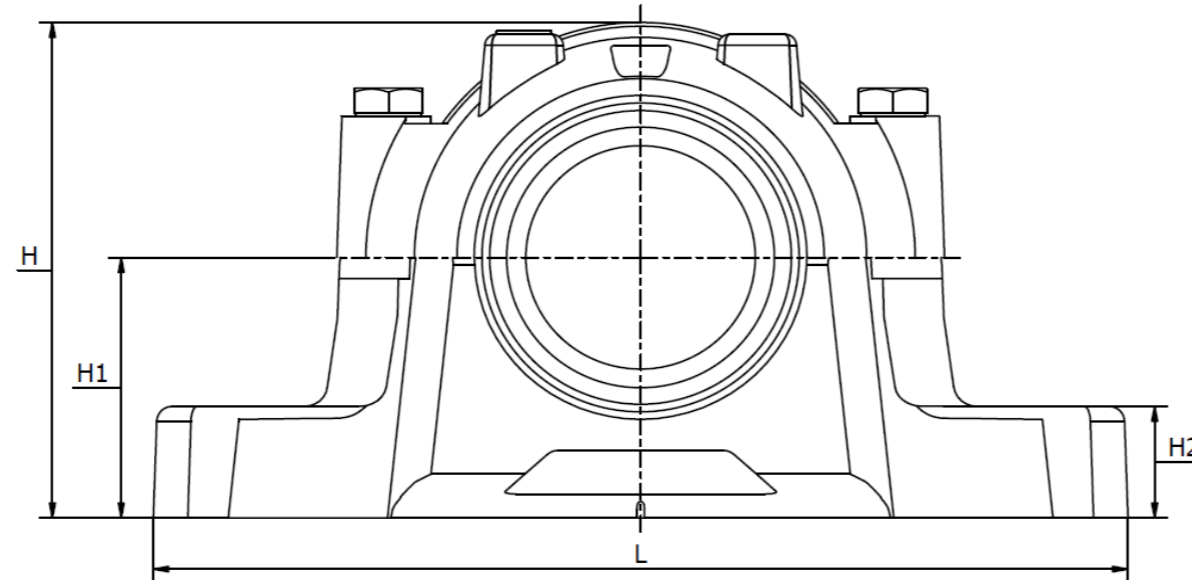
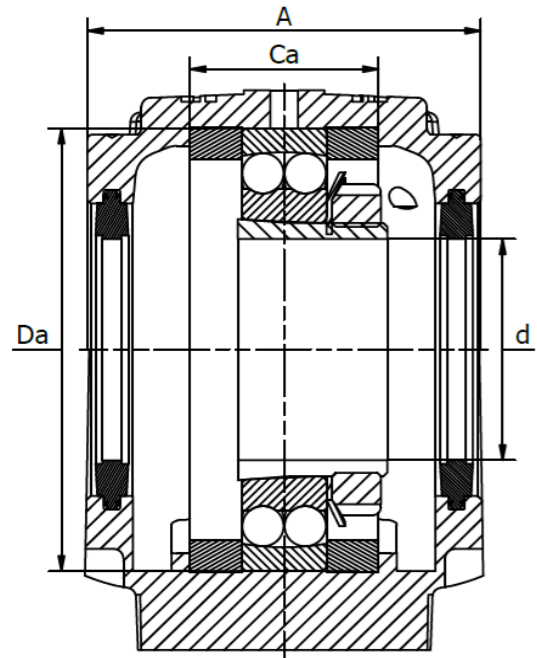
For spherical ball and roller bearings on adapter sleeves, equipped with felt seals, cast iron GG 20.



Part No.	Shaft size d (mm)	Dimensions (mm)											Mounting Bolt	Bearings	Adapter Sleeves	Fixing Rings	Housing No.	End cover	Weight (kg)
		A	A1	Ca	Da	H	H1	H2	J	L	N	N1							
SNF 518	80	140	100	65	160	193	100	35	290	345	28	22	M20	1218 K	H 218	2 x FR 160-17.5	SNF 518	DK518	12,50
														2218 K	H 318	2 x FR 160-12.5			
														22218 K	H 318	2 x FR 160-12.5			
														23218 K	H 2318	2 x FR 160-6.25			
SNF 519	85	145	100	68	170	210	112	35	290	345	28	22	M20	1219 K	H 219	2 x FR 170-18	SNF 519	DK519	13,70
														2219 K	H 319	2 x FR 170-12.5			
														22219 K	H 319	2 x FR 170-12.5			
SNF 520	90	160	110	70	180	215	112	40	320	380	32	26	M24	1220 K	H 220	2 x FR 180-18	SNF 520	DK520	17,60
														2220 K	H 320	2 x FR 180-12			
														22220 K	H 320	2 x FR 180-12			
														23220 K	H 2320	2 x FR 180-4.85			
SNF 522	100	175	120	80	200	239	125	45	350	410	32	26	M24	1222 K	H 222	2 x FR 200-21	SNF 522	DK522	22,00
														2222 K	H 322	2 x FR 200-13.5			
														22222 K	H 322	2 x FR 200-13.5			
														23222 K	H 2322	2 x FR 200-5.1			
SNF 524	110	185	120	86	215	271	140	45	350	410	32	26	M24	1224 K	H 3124	2 x FR 215-22	SNF 524	DK524	26,20
														22224 K	H 3124	2 x FR 215-14			
														23224 K	H 2324	2 x FR 215-5			
SNF 526	115	190	130	90	230	290	150	50	380	445	35	28	M24	22226 K	H 3126	2 x FR 230-13	SNF 526	DK526	33,00
														23226 K	H 2326	2 x FR 230-5			

SNF 500 Series - Plummer block housings (SNH)

For spherical ball and roller bearings on adapter sleeves, equipped with felt seals, cast iron GG 20.



Part No.	Shaft size d (mm)	Dimensions (mm)											Mounting Bolt	Bearings	Adapter Sleeves	Fixing Rings	Housing No.	End cover	Weight (kg)
		A	A1	Ca	Da	H	H1	H2	J	L	N	N1							
SNF 528	125	205	150	98	250	302	150	50	420	500	42	35	M30	22228 K	H 3128	2 x FR 250-15	SNF 528	DK528	40,00
														23228 K	H 2328	2 x FR 250-5			
SNF 530	135	220	160	106	270	323	160	60	450	530	42	35	M30	22230 K	H 3130	2 x FR 270-16.5	SNF 530	DK530	49,00
														23230 K	H 2330	2 x FR 270-5			
SNF 532	140	235	160	114	290	344	170	60	470	550	42	35	M30	22232 K	H 3132	2 x FR 290-17	SNF 532	DK532	55,00
														23232 K	H 2332	2 x FR 290-5			