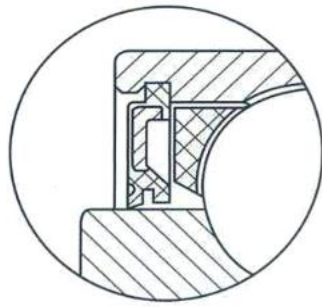
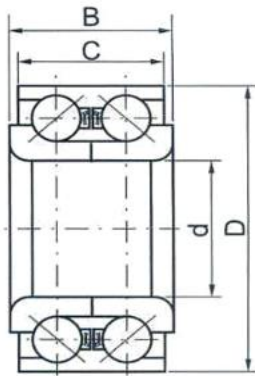
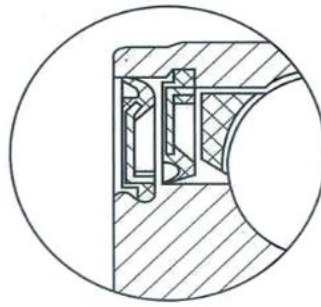


DAC - Double Row Angular Contact Ball Bearing

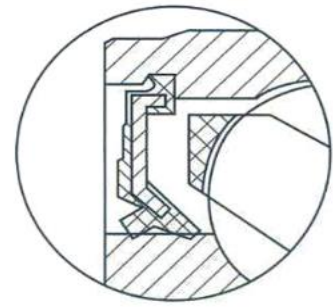
Closed models with rubber lip seals, life time grease filling.



Seal Type A



Seal Type B



Seal Type C

Item No.	Dimensions				Weight (kg)	Seal Type
	d	D	B	C		
DAC25520037	25	52	37	37	0,31	C
DAC30550032	30	55	32	32	0,41	C
DAC30600037	30	60	37	37	0,42	B
DAC34640037	34	64	37	37	0,47	B
DAC35520022	35	52	22	22	0,12	C
DAC35640037	35	64	37	37	0,46	B
DAC35650035	35	65	35	35	0,40	B
DAC35650037	35	65	37	37	0,51	A
DAC35680037	35	68	37	37	0,52	C
DAC35720033	35	72	33	33	0,58	C
DAC35720037	35	72	37	37	0,60	C
DAC37720037	37	72	37	37	0,59	C
DAC39720037	39	72	37	37	0,60	B
DAC40720037	40	72	37	37	0,55	B
DAC40740040	40	74	40	40	0,67	B
DAC42750037	42	75	37	37	0,60	C
DAC42760039	42	76	39	39	0,62	A
DAC42800042	42	80	42	42	0,82	C
DAC49840048	49	84	48	48	0,89	C

Please contact us for different sizes and models.