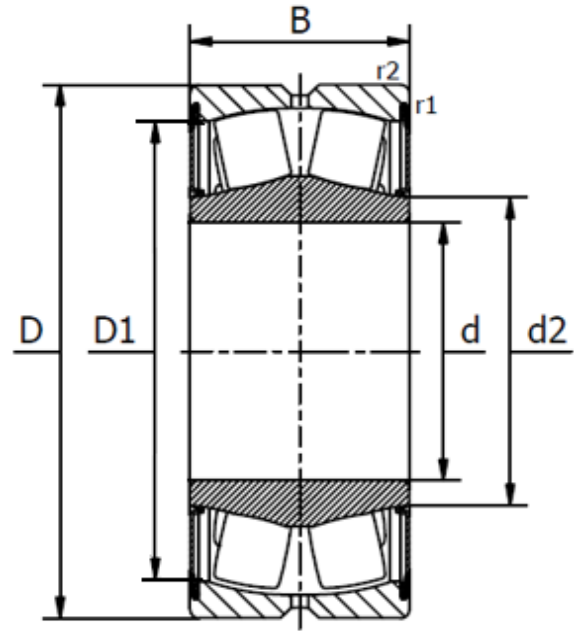




## BS2-2200-2CSK Series

Spherical roller bearings, tapered bore 1:12, seal on both sides, lithium based NLGI 2/3 grease, temperature range -30°C to +110°C.



Bearing No.	Dimensions (mm)					Basic load ratings (kN)		Fatigue load limit $P_u$ (kN)	Limiting speed r/min.	Weight (Kg)
	d	D	B	$D_1$	$d_2$	Dynamic $C_r$	Static $C_{or}$			
BS2-2208-2CSK	40	80	28	73,0	47,0	96,5	90	9,8	2600	0,57
BS2-2209-2CSK	45	85	28	77,1	53,0	102,0	98	10,8	2550	0,66
BS2-2210-2CSK	50	90	28	82,1	58,0	104,0	108	11,8	2440	0,70
BS2-2211-2CSK	55	100	31	91,9	64,0	125,0	127	13,7	2250	1,00
BS2-2212-2CSK	60	110	34	102,0	69,0	156,0	166	18,6	2030	1,30
BS2-2213-2CSK	65	120	38	111,0	76,0	193,0	216	24,0	1740	1,60
BS2-2214-2CSK	70	125	38	115,0	80,0	208,0	228	25,5	1670	1,80
BS2-2215-2CSK	75	130	38	119,0	84,0	212,0	240	26,5	1630	2,10
BS2-2216-2CSK	80	140	40	128,0	91,5	236,0	270	29,0	1540	2,40
BS2-2217-2CSK	85	150	44	138,0	98,0	285,0	325	34,5	1420	3,00
BS2-2218-2CSK	90	160	48	148,0	102,0	325,0	375	39,0	1300	3,70
BS2-2220-2CSK	100	180	55	162,0	114,0	425,0	490	49,0	1140	5,35
BS2-2222-2CSK	110	200	63	182,0	126,0	560,0	640	63,0	1020	7,60
BS2-2224-2CSK	120	215	69	193,0	136,0	630,0	765	73,5	920	9,75
BS2-2226-2CSK	130	230	75	205,0	147,0	735,0	930	88,0	840	11,00

Spherical roller bearings have two rows of rollers with a common sphered raceway in the outer ring and two inner ring raceways inclined at an angle to the bearing axis. This gives them an attractive combination of design features making them irreplaceable in many demanding applications. They are self-aligning and consequently insensitive to misalignment of the shaft relative to the housing and to shaft deflection or bending. Spherical roller bearings are leading in design and can, in addition to high radial loads, accommodate high axial loads acting in both directions.

The bearings in this catalogue are sealed with contact seals on both sides. The seals are reinforced with sheet steel and made of an oil and wear-resistens acrylonitrile butadiene rubber (NBR).