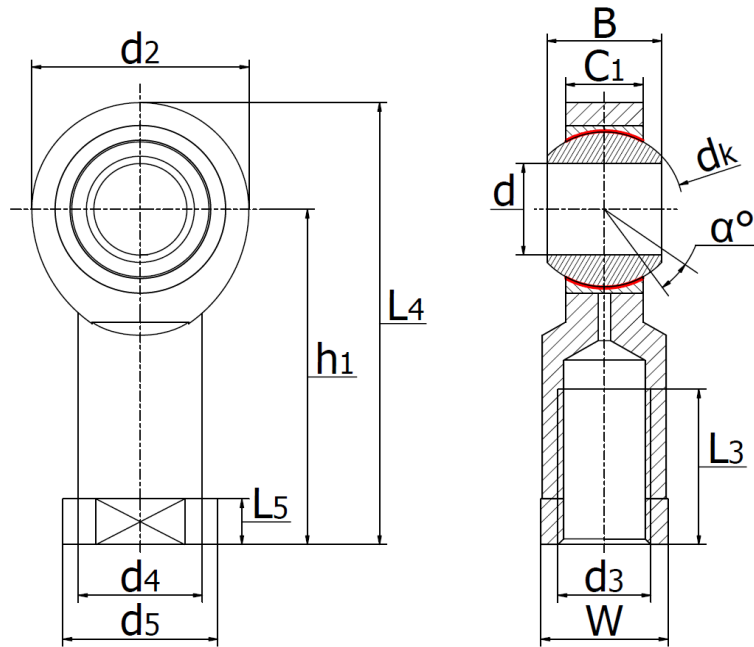




## Rod ends GIKPR..PW / GIPFR..PW

GIKPR: with internal thread, maintenance-free, fine pitch internal thread, to DIN ISO 12 240-4, right hand thread.

GIPFR: with internal thread, maintenance-free, fine pitch internal thread, to DIN ISO 24 335 (pneumatic cylinders), right hand thread.



Material: Steel innerring, PTFE coated outerring.

Part No.	Dimensions (mm)															kg	Dyn. (kN)	Static (kN)	
	d (H7)	B	d <sub>k</sub>	d <sub>2</sub>	d <sub>3</sub>	d <sub>4</sub>	h <sub>1</sub>	C <sub>1</sub>	Alpha	L <sub>3</sub>	L <sub>4</sub>	L <sub>5</sub>	d <sub>5</sub>	W	RALU <sub>min</sub>				RALU <sub>max</sub>
GIKPR 5 PW GIPFR 5 PW	5	8	11,112	18	M4	8,5	27	6,00	13°	10	36	4,0	11	9	0	0,035	0,016	6,00	9,18
GIKPR 10 PW GIPFR 10 PW	10	14	19,050	28	M10X1,25	15,0	43	10,50	13°	20	57	6,5	19	17	0	0,035	0,077	18,00	18,50
GIKPR 12 PW GIPFR 12 PW	12	16	22,225	32	M12X1,25	17,5	50	12,00	13°	22	66	6,5	22	19	0	0,035	0,100	24,00	20,80
GIKPR 16 PW GIPFR 16 PW	16	21	28,575	42	M16X1,5	22,0	64	15,00	15°	28	85	8,0	28	22	0	0,035	0,220	39,00	45,20
GIKPR 30 PW GIPFR 30 PW	30	37	50,800	70	M27X2	40,0	110	25,00	17°	51	145	15,0	50	41	0	0,035	1,100	114,00	95,90