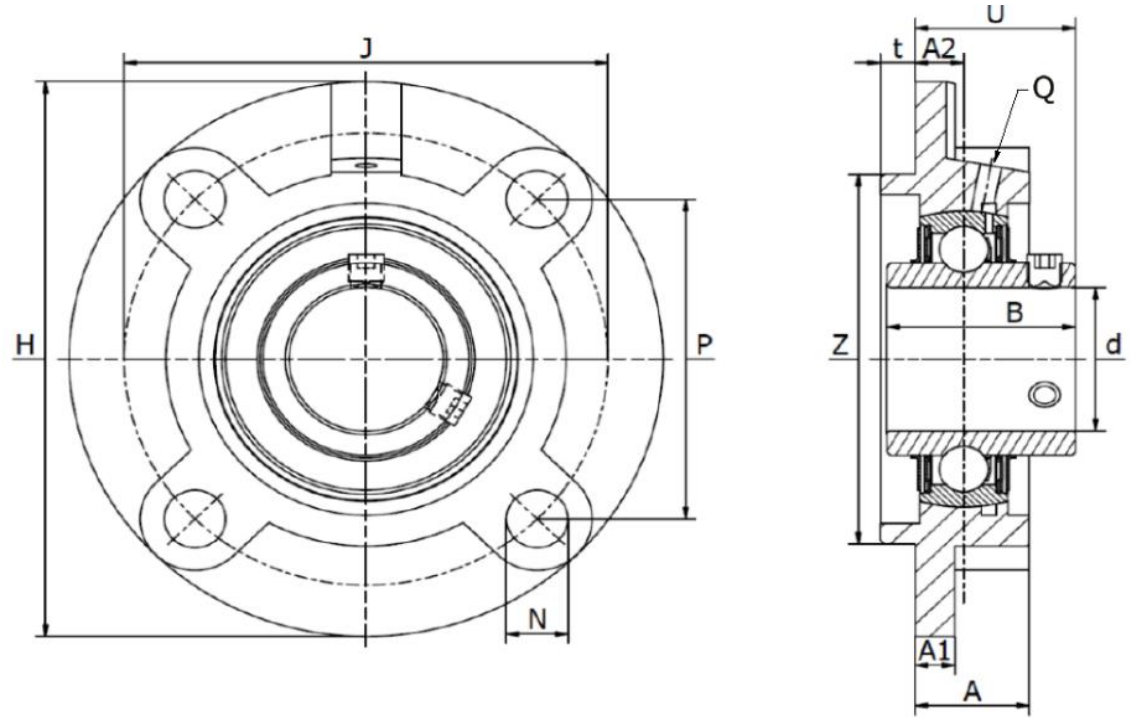




## UCFC 207 SS - Round 4-bolt flanged bearing unit

stainless steel, set screw lock. Temperature range -30°C to +110°C, FDA & NSF.



Part No.	Dimensions (mm)													Bolt Size	Bearing No.	Housing No.	Weight (kg)
	d	H	J	A <sub>2</sub>	A	t	A <sub>1</sub>	N	P	Z <sub>h8</sub>	U	B	Q				
UCFC 207 SS	35	135	110	11	26	8	9	14,0	77,8	90	36,4	42,9	M6	M12	UC 207 SS	FC 207 SS	1,70

### Bearing Inserts:

Inner & Outer Races: AISI 420-440 Stainless

Cage: AISI 302 Stainless

Balls: AISI 420-440 Stainless

Seals: Rubber & AISI 302 Stainless

Set Screws: AISI 420 Stainless

Grease Nipple: AISI 304

Grease: Food Grade FDA & NSF approved

### Housing:

AISI 304 Stainless