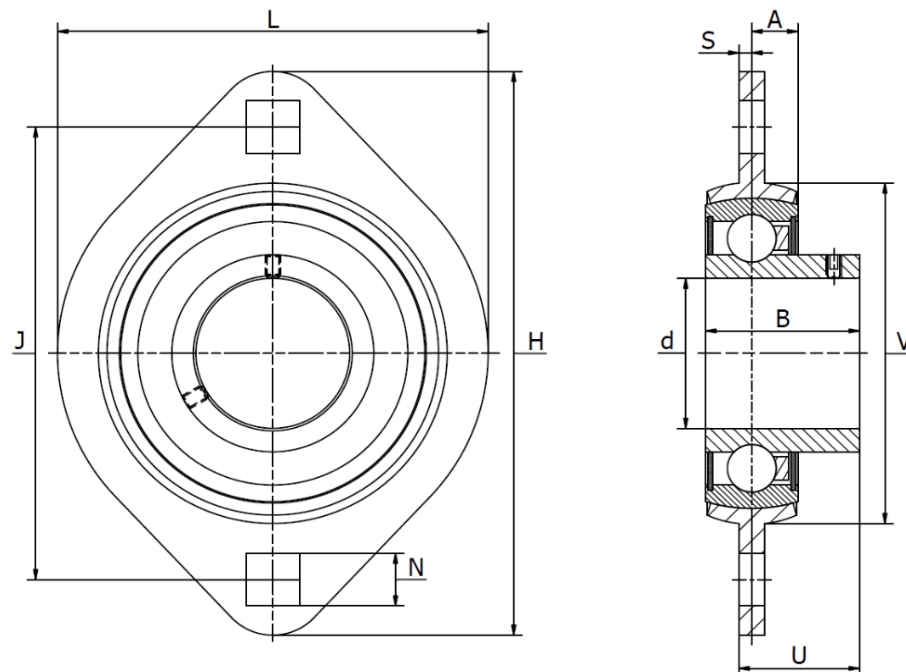




## OBF ... S series (RATY)

Two-bolt flanged housing units, zinc plated sheet steel, grub screws in inner ring. Temperature range -30°C to +110°C.



Part No.	d	Dimensions (mm)									Bearing No.	Housing No.	Weight (kg)
	mm	H	U	A	B	J	N	L	S	V			
<b>OBF 12 S</b>	12	81,0	18,0	7,0	22,0	63,5	7,1	58,7	2,0	48	SB 201	PFL 201	0,14
<b>OBF 15 S</b>	15	81,0	18,0	7,0	22,0	63,5	7,1	58,7	2,0	48	SB 202	PFL 202	0,13
<b>OBF 17 S</b>	17	81,0	18,0	7,0	22,0	63,5	7,1	58,7	2,0	48	SB 203	PFL 203	0,12
<b>OBF 20 S</b>	20	90,5	20,0	8,0	25,0	71,5	8,7	66,0	2,0	55	SB 204	PFL 204	0,22
<b>OBF 25 S</b>	25	95,2	21,5	8,7	27,0	76,2	8,7	71,0	2,0	60	SB 205	PFL 205	0,26
<b>OBF 30 S</b>	30	112,7	23,5	8,7	30,0	90,5	10,5	84,0	2,5	71	SB 206	PFL 206	0,41
<b>OBF 35 S</b>	35	123,0	28,0	10,5	35,0	100,0	10,5	93,7	2,5	81	SB 207	PFL 207	0,56
<b>OBF 40 S</b>	40	151,0	32,5	11,5	39,5	119,0	13,5	100,0	3,5	90	SB 208	PFL 208	0,85