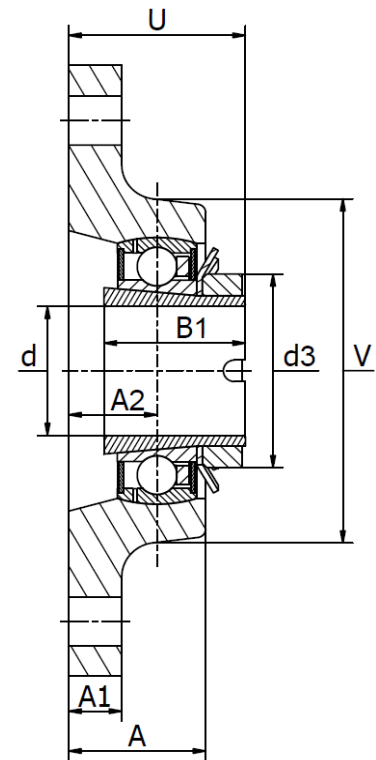
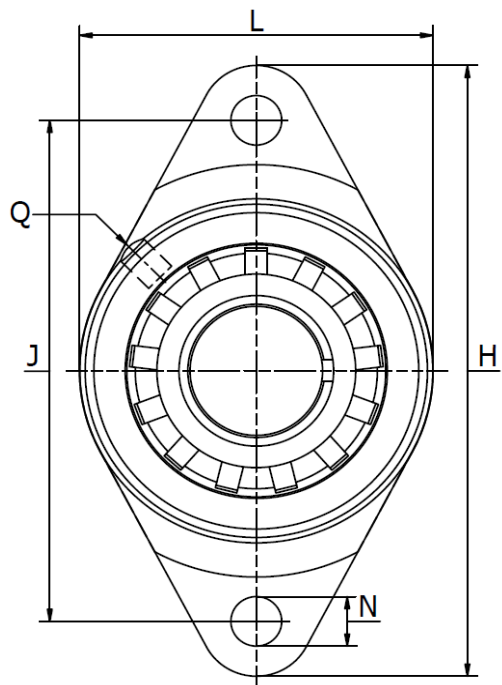




## OWF.. K Series

Normal Duty, for adapter sleeve (not included). Temperature range -30°C to +110°C



Part No.	d	Dimensions (mm)											Bearing No. Incl. Adapt. Sleeve	Weight (kg)	Cover	
	mm	H	U	A	A <sub>1</sub>	A <sub>2</sub>	B <sub>1</sub>	d <sub>3 max</sub>	J	L	N	Q				V
OWF 25 K	20	124	37,5	29	11	19	35	38	99	70	11,5	Rp 1/8	70	UK 205 + H2305	0,62	KASK 05
OWF 30 K	25	142	39,9	29	12	20	38	45	116,5	80	11,5	Rp 1/8	80	UK 206 + H2306	0,88	KASK 06
OWF 35 K	30	155	41,1	30,5	12,5	21	43	52	130	92	14	Rp 1/8	92	UK 207 + H2307	1,19	KASK 07
OWF 40 K	35	172	44,9	34,5	13	24	46	58	143,5	105	14	Rp 1/8	105	UK 208 + H2308	1,66	KASK 08
OWF 45 K	40	180	46,9	35	13	24	50	65	148,5	111	14	Rp 1/8	111	UK 209 + H2309	1,81	Cover Ø45
OWF 50 K	45	190	55,1	39	13	28	55	70	157	116	18	Rp 1/8	116	UK 210 + H2310	2,2	KASK 10
OWF 55 K	50	222	46,9	43,5	15	31	59	75	184	134	18	Rp 1/8	134	UK 211 + H2311	2,92	-
OWF 60 K	55	238	60,1	46	16	34	62	80	202	138	18	Rp 1/8	138	UK 212 + H2312	3,69	-