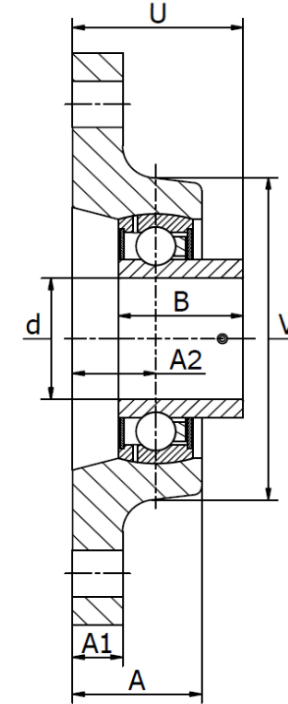
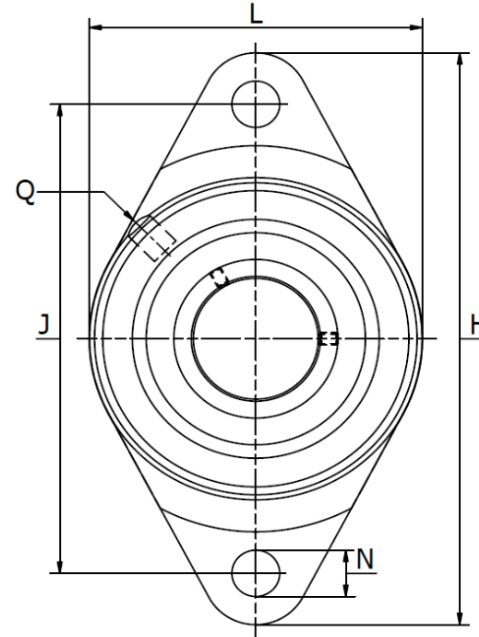




OWF.. S Series (PCJTY)

Normal Duty, Set Screw Locking. Temperature range -30°C to +110°C



Part No.	d mm	Dimensions (mm)											Bearing No.	Weight (kg)	Cover
		H	U	A	A ₁	A ₂	B	J	L	N	Q	V			
OWF 12 S	12	99	33,0	25,0	9,5	17	22,0	76,5	57	11,5	M6	57	SB 201	0,33	-
OWF 15 S	15	99	33,0	25,0	9,5	17	22,0	76,5	57	11,5	M6	57	SB 202	0,35	-
OWF 17 S	17	99	33,0	25,0	9,5	17	22,0	76,5	57	11,5	M6	57	SB 203	0,37	-
OWF 20 S	20	112	37,0	28,0	10,0	19	25,0	90,0	61	11,5	Rp 1/8	61	SB 204	0,41	-
OWF 25 S	25	124	38,5	29,0	11,0	19	27,0	99,0	70	11,5	Rp 1/8	70	SB 205	0,48	KASK 05
OWF 30 S	30	142	41,0	29,0	12,0	20	30,0	116,5	80	11,5	Rp 1/8	80	SB 206	0,77	KASK 06
OWF 35 S	35	155	46,5	30,5	12,5	21	35,0	130,0	92	14,0	Rp 1/8	92	SB 207	1,05	KASK 07
OWF 40 S	40	172	53,0	34,5	13,0	24	39,5	143,5	105	14,0	Rp 1/8	105	SB 208	1,48	KASK 08
OWF 45 S	45	180	54,5	35,0	13,0	24	41,5	148,5	111	14,0	Rp 1/8	111	SB 209	1,69	Cover Ø45
OWF 50 S	50	190	60,0	39,0	13,0	28	43,0	157,0	116	18,0	Rp 1/8	116	SB 210	1,82	KASK 10
OWF 60 S	60	238	68,0	46,0	16,0	34	47,0	202,0	138	18,0	Rp 1/8	138	SB 212	2,92	-