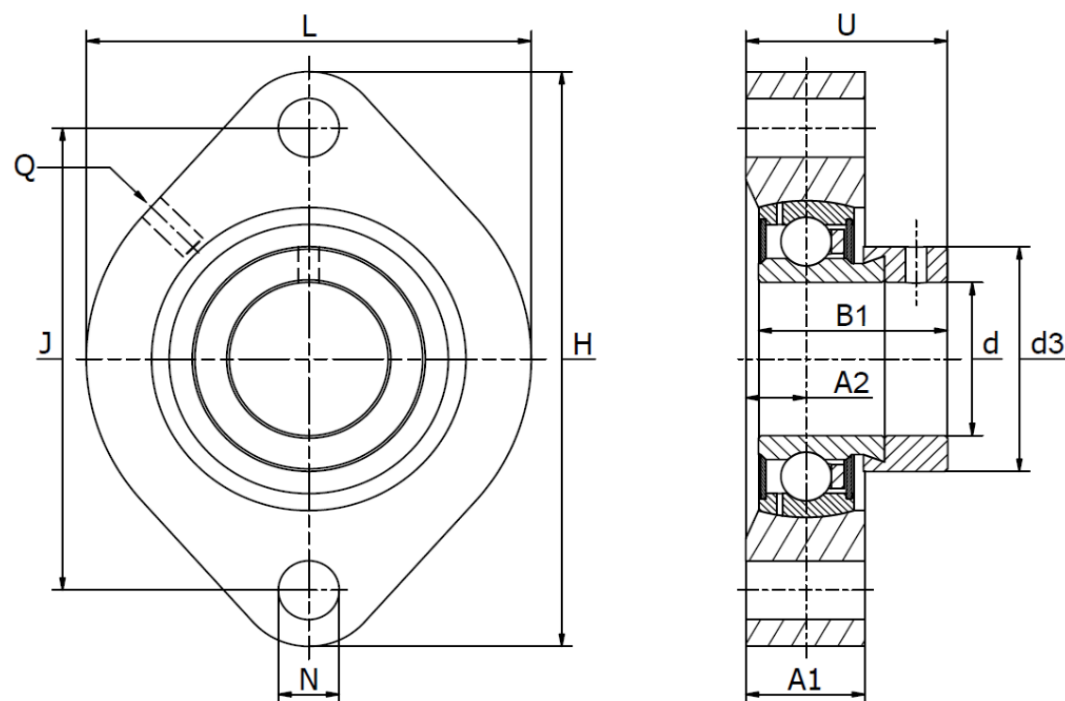


## OWFK .. ZP series (GLCTE..FA125/FLCTE..FA125)

Normal duty with zinc plating, eccentric collar lock, GLCTE = with greasebore, FLCTE = without greasebore. Temperature range -30°C to +110°C



Part No.	d mm	Dimensions (mm)										Bearing No.	Weight (kg)
		H	U	A <sub>1</sub>	A <sub>2</sub>	B <sub>1</sub>	d <sub>3 max</sub>	J	L	N	Q		
OWFK 12 ZP	12	81,0	30,5	15,0	8,4	28,6	28,0	63,5	58,7	6,6	M6 - 90° lubrication hole	SA 201 ZP	0,30
OWFK 15 ZP	15	81,0	30,5	15,0	8,4	28,6	28,0	63,5	58,7	6,6	M6 - 90° lubrication hole	SA 202 ZP	0,30
OWFK 17 ZP	17	81,0	30,5	15,0	8,4	28,6	28,0	63,5	58,7	6,6	M6 - 90° lubrication hole	SA 203 ZP	0,30
OWFK 20 ZP	20	90,5	33,0	17,0	9,5	31,0	33,0	71,4	66,5	9,0	M6 - 45° lubrication hole	SA 204 ZP	0,39
OWFK 25 ZP	25	97,0	33,4	17,5	9,9	31,0	37,5	76,2	71,0	9,0	M6 - 45° lubrication hole	SA 205 ZP	0,47
OWFK 30 ZP	30	112,5	38,1	20,5	11,4	35,7	44,0	90,5	84,0	11,5	M6 - 45° lubrication hole	SA 206 ZP	0,76
OWFK 35 ZP	35	126,0	41,8	22,0	12,4	38,9	51,0	100,0	94,0	11,5	Rp 1/8" - 90° lubrication hole	SA 207 ZP	1,02
OWFK 40 ZP	40	150,0	46,2	24,0	13,5	43,7	58,0	119,0	100,0	14,0	Rp 1/8" - 90° lubrication hole	SA 208 ZP	1,27