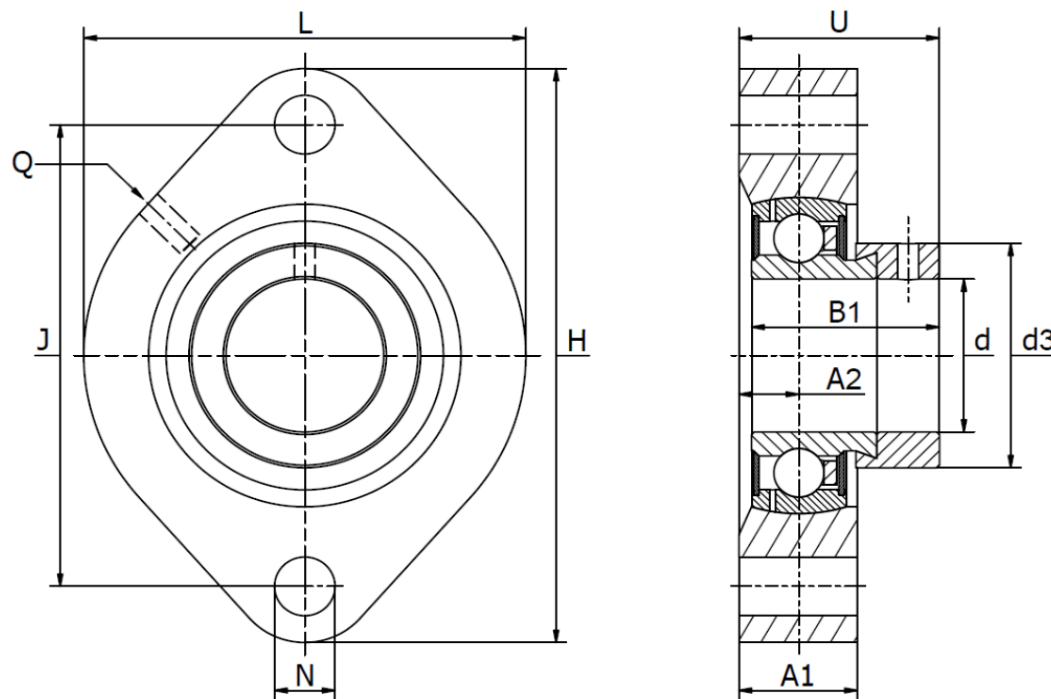




OWFK .. series (GLCTE/FLCTE)

Normal duty, eccentric collar lock, GLCTE = with greasebore, FLCTE = without greasebore. Temperature range -30°C to +110°C



Part No.	d mm	Dimensions (mm)							J	L	N	Q	Bearing No.	Weight (kg)
		H	U	A ₁	A ₂	B ₁	d _{3 max}							
OWFK 12	12	81,0	30,5	15,0	8,4	28,6	28,0	63,5	58,7	6,6	M6 - 90° lubrication hole	SA 201	0,30	
OWFK 15	15	81,0	30,5	15,0	8,4	28,6	28,0	63,5	58,7	6,6	M6 - 90° lubrication hole	SA 202	0,30	
OWFK 17	17	81,0	30,5	15,0	8,4	28,6	28,0	63,5	58,7	6,6	M6 - 90° lubrication hole	SA 203	0,30	
OWFK 20	20	90,5	33,0	17,0	9,5	31,0	33,3	71,4	66,5	9,0	M6 - 45° lubrication hole	SA 204	0,39	
OWFK 25	25	97,0	33,4	17,5	9,9	31,0	37,5	76,2	71,0	9,0	M6 - 45° lubrication hole	SA 205	0,47	
OWFK 30	30	112,5	38,1	20,5	11,4	35,7	44,0	90,5	84,0	11,5	M6 - 45° lubrication hole	SA 206	0,76	
OWFK 35	35	126,0	41,8	22,0	12,4	38,9	55,0	100,0	94,0	11,5	Rp 1/8" - 90° lubrication hole	SA 207	1,02	
OWFK 40	40	150,0	46,2	24,0	13,5	43,7	60,0	119,0	100,0	14,0	Rp 1/8" - 90° lubrication hole	SA 208	1,27	