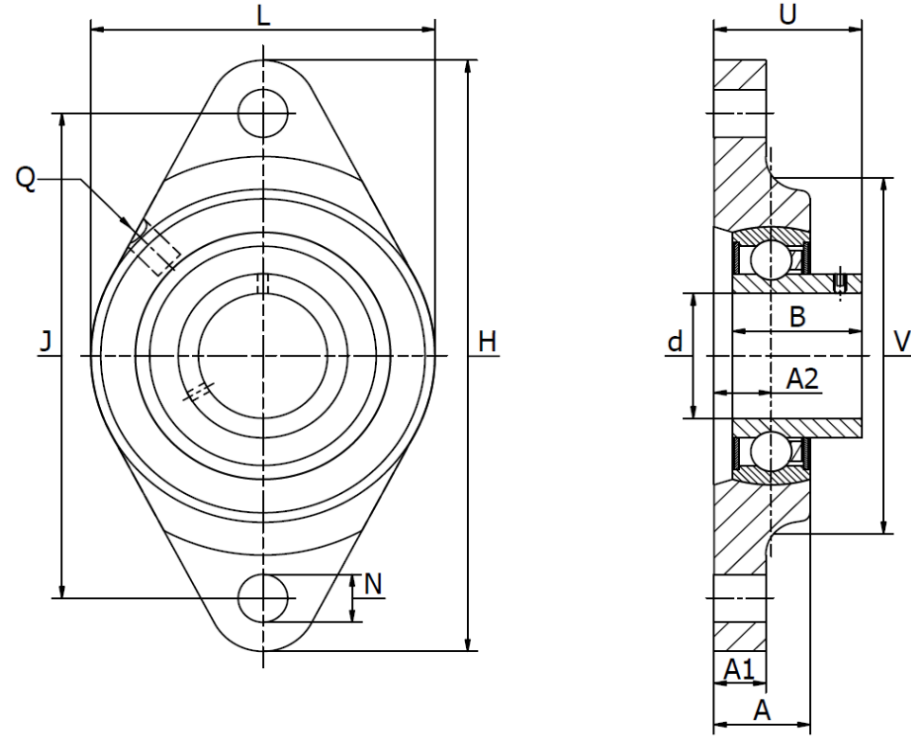




OWFS ..S Series (PCFTY)

Two-bolt flanged housing units, cast iron, location by set screw. Temperature range -30°C to +110°C



Part No.	d mm	Dimensions (mm)											Bearing No.	Weight (kg)
		H	U	A	A ₁	A ₂	B	J	L	N	Q	V		
OWFS 12 S	12	99,0	26,0	18,0	9,5	10,0	22,0	76,5	57	11,5	M6	57	SB 201	0,39
OWFS 15 S	15	99,0	26,0	18,0	9,5	10,0	22,0	76,5	57	11,5	M6	57	SB 202	0,39
OWFS 17 S	17	99,0	26,0	18,0	9,5	10,0	22,0	76,5	57	11,5	M6	57	SB 203	0,39
OWFS 20 S	20	112,0	28,5	17,5	10,5	10,5	25,0	90,0	61	11,5	Rp1/8	61	SB 204	0,42
OWFS 25 S	25	124,0	32,0	20,0	11,0	12,5	27,0	99,0	70	11,5	Rp1/8	70	SB 205	0,52
OWFS 30 S	30	141,5	34,3	25,5	12,0	13,3	30,0	116,5	80	11,5	Rp1/8	80	SB 206	0,77
OWFS 35 S	35	155,0	41,0	27,0	12,5	15,5	35,0	130,0	92	14,0	Rp1/8	92	SB 207	1,08
OWFS 40 S	40	172,0	47,3	28,8	13,0	18,3	39,5	143,5	105	14,0	Rp1/8	105	SB 208	1,42
OWFS 45 S	45	180,0	49,7	30,2	13,0	19,2	43,0	148,5	111	14,0	Rp1/8	111	SB 209	1,59
OWFS 50 S	50	190,0	51,2	30,2	13,0	19,2	46,2	157,0	116	14,0	Rp1/8	116	SB 210	2,15