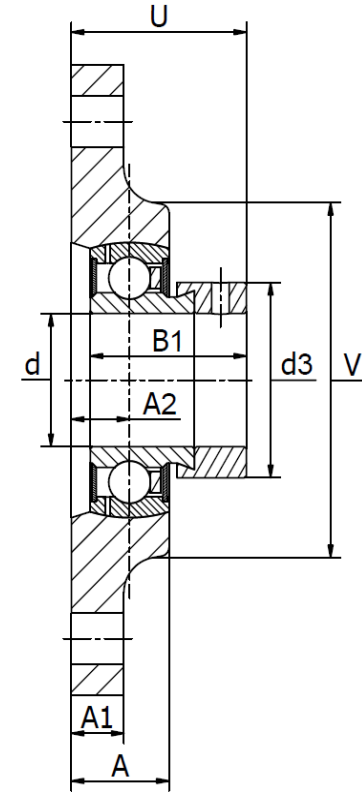
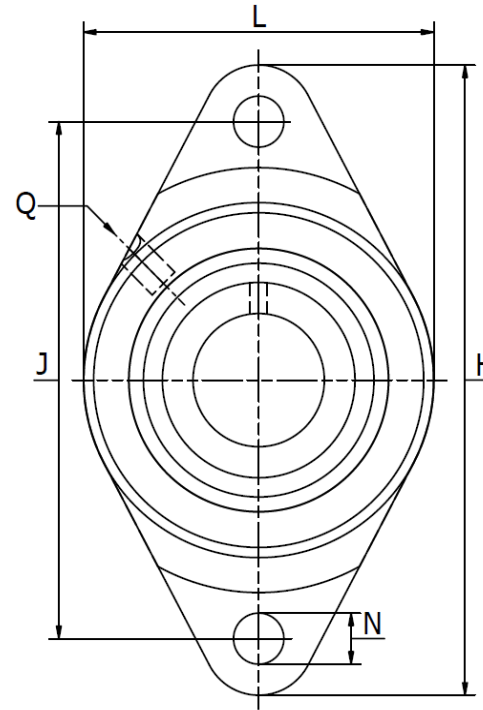




OWFS .. Series (PCFT)

Two-bolt flanged housing units, cast iron, eccentric locking collar. Temperature range -30°C to +110°C



Part No.	d mm	Dimensions (mm)											Bearing No.	Weight (kg)	
		H	U	A	A ₁	A ₂	B ₁	d _{3 max}	J	L	N	Q			V
OWFS 12	12	99,0	32,1	18,0	9,5	10,0	28,6	28,0	76,5	57,0	11,5	M6	57	SA 201	0,39
OWFS 15	15	99,0	32,1	18,0	9,5	10,0	28,6	28,0	76,5	57,0	11,5	M6	57	SA 202	0,39
OWFS 17	17	99,0	32,1	18,0	9,5	10,0	28,6	28,0	76,5	57,0	11,5	M6	57	SA 203	0,39
OWFS 20	20	112,0	34,0	17,5	10,5	10,5	31,0	33,0	90,0	61,0	11,5	Rp1/8	61	SA 204	0,42
OWFS 25	25	124,0	36,0	20,0	11,0	12,5	31,0	37,5	99,0	70,0	11,5	Rp1/8	70	SA 205	0,52
OWFS 30	30	142,0	40,0	22,3	12,0	13,3	35,7	44,0	116,5	80,0	11,5	Rp1/8	80	SA 206	0,77
OWFS 35	35	155,0	44,9	25,0	12,5	15,5	38,9	51,0	130,0	92,0	14,0	Rp1/8	92	SA 207	1,08
OWFS 40	40	172,0	51,0	28,8	13,0	18,3	43,7	58,0	143,5	105,0	14,0	Rp1/8	105	SA 208	1,42
OWFS 45	45	180,0	51,9	30,2	13,0	19,2	43,7	63,0	148,5	111,0	14,0	Rp1/8	111	SA 209	1,59
OWFS 50	50	190,0	51,9	30,2	13,0	19,2	43,7	69,0	157,0	116,0	14,0	Rp1/8	116	SA 210	2,15