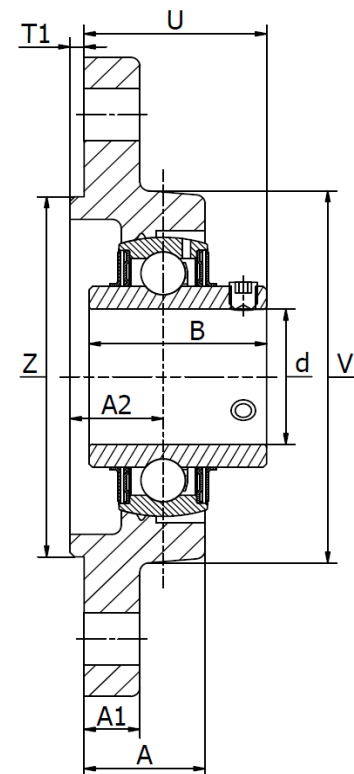
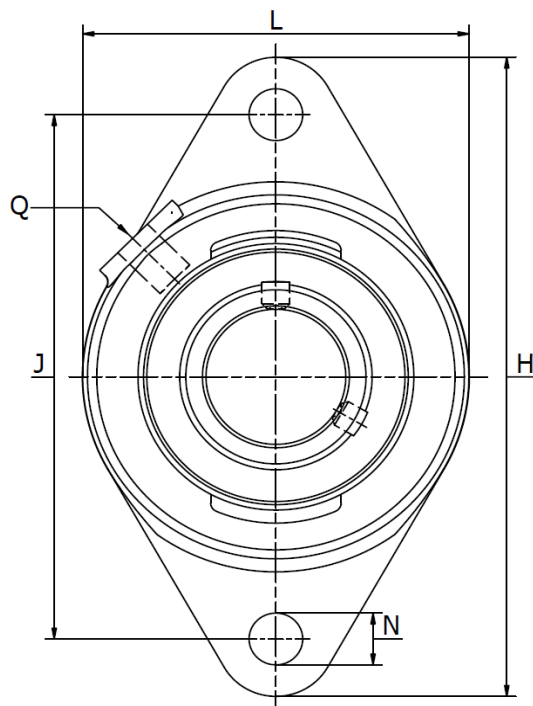




OWFZ .. U Series (RCJTZY)

Two-bolt flanged housing units, cast iron, centring spigot, set screw locking. Temperature range -30°C to +110°C.



Part No.	Dimensions (mm)															Bearing No.	Weight (kg)
	d mm	H	U	A	A ₁	A ₂	B	J	L	N	Q	T ₁	V	Z			
OWFZ 20 U	20	112,5	37,3	31,7	10	19	31,0	90,0	60,5	11,5	Rp 1/8	3,5	60,5	55 h8	UC 204	0,53	
OWFZ 25 U	25	124	38,7	26,5	12	19	34,0	99,0	70	11,5	Rp 1/8	3,5	70,0	60 h8	UC 205	0,64	
OWFZ 30 U	30	142	39,2	26,0	12	17	38,1	116,5	83	11,5	Rp 1/8	3,0	83,0	80 h8	UC 206	0,90	
OWFZ 35 U	35	155	42,4	26,5	12,5	17	42,9	130,0	94	14	Rp 1/8	4,0	94,0	90 h8	UC 207	1,22	
OWFZ 40 U	40	172	50,2	30,5	13	20	49,2	143,5	105	14	Rp 1/8	4,0	105,0	100 h8	UC 208	1,69	
OWFZ 45 U	45	180	50,2	31,0	13	20	49,2	148,5	111	14	Rp 1/8	4,0	111,0	105 h8	UC 209	1,86	
OWFZ 50 U	50	190	56,6	35,0	13	24	51,6	157,0	115	14	Rp 1/8	4,0	116,0	105 h8	UC 210	2,21	
OWFZ 60 U	60	238	69,7	42,0	16	30	65,1	202,0	138	18	Rp 1/8	4,0	138,0	130 h8	UC 212	3,74	