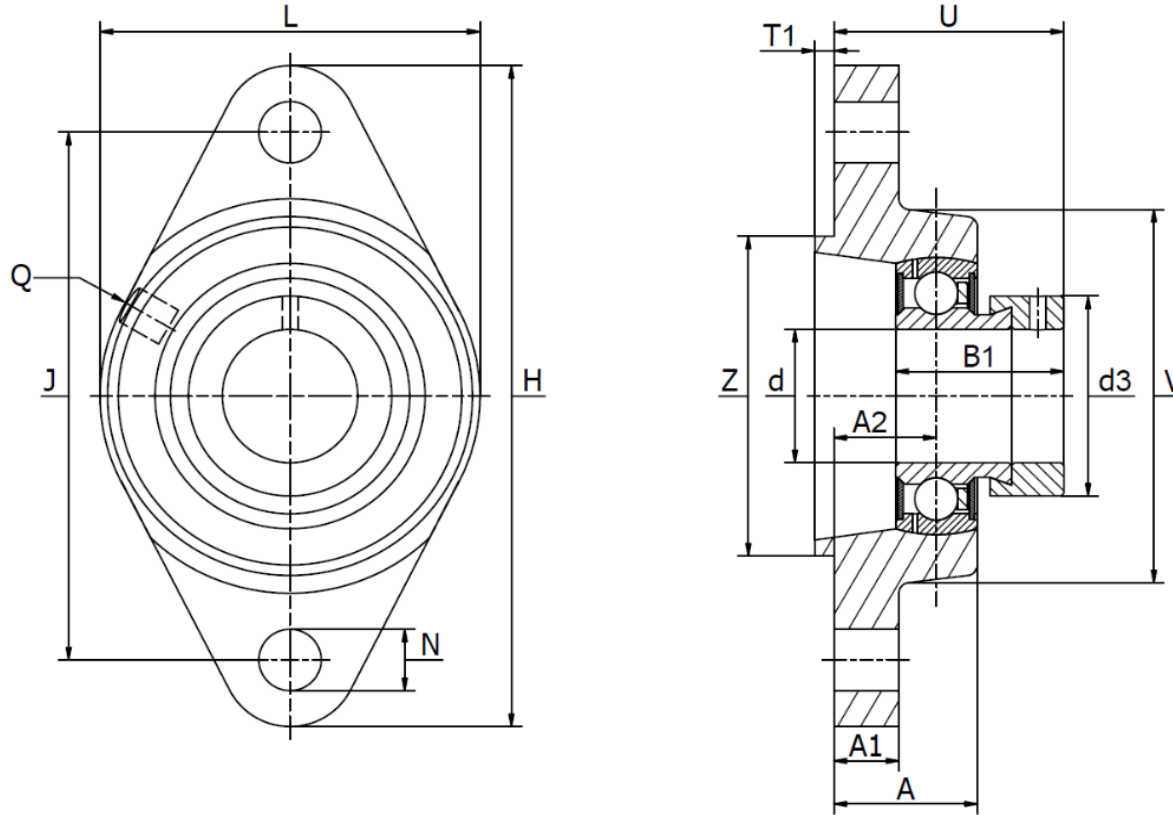




## OWFZ .. ZP series (PCJ TZ..FA125)

Two-bolt flanged housing units, zink plating (corro.), cast iron, centring spigot, eccentric locking collar. Temperature range -30°C to +110°C.



Part No.	d mm	Dimensions (mm)											Bearing No.	Weight (kg)			
		H	U	A	A <sub>1</sub>	A <sub>2</sub>	B <sub>1</sub>	d <sub>3 max</sub>	J	L	N	Q			T <sub>1</sub>	V	Z
OWFZ 20 ZP	20	112,5	40,5	31,7	10,0	19	31,0	33,0	90,0	60,5	11,5	Rp 1/8	3,5	60,5	55 h8	SA 204	0,53
OWFZ 25 ZP	25	124,0	40,1	26,5	12,0	19	31,0	37,5	99,0	70,0	11,5	Rp 1/8	3,5	70,0	60 h8	SA 205	0,64
OWFZ 30 ZP	30	142,0	46,5	26,0	12,0	17	35,7	44,0	116,5	83,0	11,5	Rp 1/8	3,0	83,0	80 h8	SA 206	0,90
OWFZ 35 ZP	35	155,0	48,0	26,5	12,5	17	38,9	51,0	130,0	94,0	14,0	Rp 1/8	4,0	94,0	90 h8	SA 207	1,22
OWFZ 40 ZP	40	172,0	53,4	30,5	13,0	20	43,7	58,0	143,5	105,0	14,0	Rp 1/8	4,0	105,0	100 h8	SA 208	1,60
OWFZ 45 ZP	45	180,0	53,4	31,0	13,0	20	43,7	63,0	148,5	111,0	14,0	Rp 1/8	4,0	111,0	105 h8	SA 209	1,86
OWFZ 50 ZP	50	190,0	56,8	35,0	13,0	24	43,8	69,0	157,0	115,0	14,0	Rp 1/8	4,0	116,0	105 h8	SA 210	2,21
OWFZ 60 ZP	60	238,0	71,8	42,0	16,0	30	53,1	84,0	202,0	138,0	18,0	Rp 1/8	4,0	138,0	130 h8	SA 212	3,74