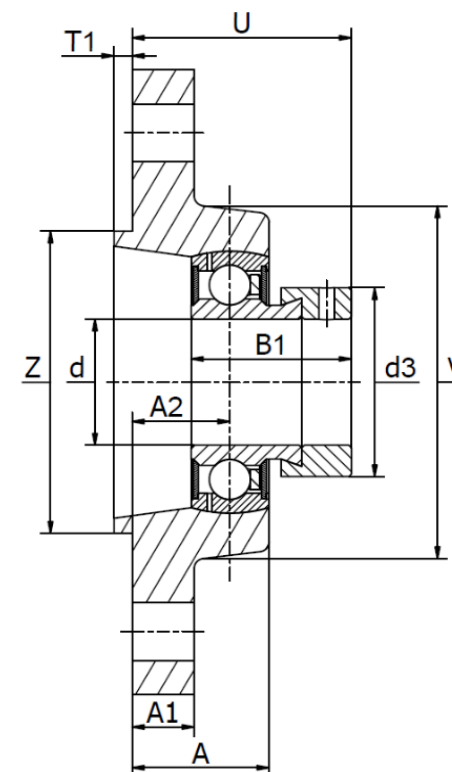
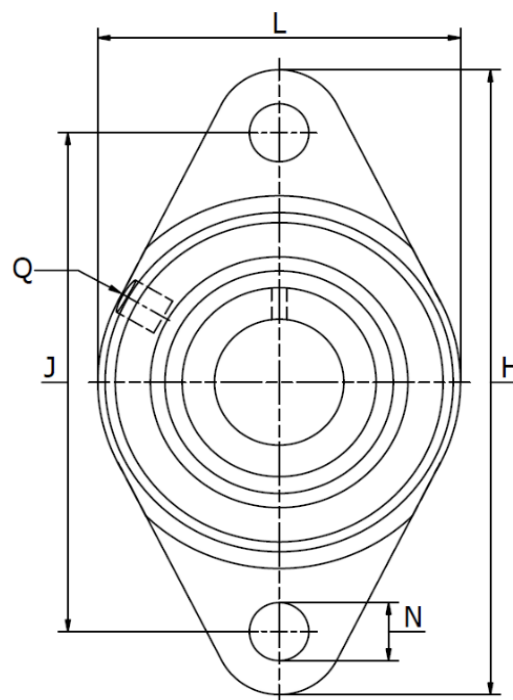




OWFZ .. series (PCJTZ)

Two-bolt flanged housing units, cast iron, centring spigot, eccentric locking collar. Temperature range -30°C to +110°C.



| Part No. | d | Dimensions (mm) | | | | | | | | | | | Bearing No. | Weight (kg) | | | |
|----------------|----|-----------------|------|------|----------------|----------------|----------------|--------------------|-------|-------|------|--------|-------------|-------------|----------------|--------|------|
| | mm | H | U | A | A ₁ | A ₂ | B ₁ | d _{3 max} | J | L | N | Q | | | T ₁ | V | Z |
| OWFZ 20 | 20 | 112,5 | 40,5 | 31,7 | 10,0 | 19 | 31,0 | 33,0 | 90,0 | 60,5 | 11,5 | Rp 1/8 | 3,5 | 60,5 | 55 h8 | SA 204 | 0,53 |
| OWFZ 25 | 25 | 124,0 | 42,5 | 26,5 | 12,0 | 19 | 31,0 | 37,5 | 99,0 | 70,0 | 11,5 | Rp 1/8 | 3,5 | 70,0 | 60 h8 | SA 205 | 0,64 |
| OWFZ 30 | 30 | 142,0 | 46,5 | 26,0 | 12,0 | 17 | 35,7 | 44,0 | 116,5 | 83,0 | 11,5 | Rp 1/8 | 3,0 | 83,0 | 80 h8 | SA 206 | 0,90 |
| OWFZ 35 | 35 | 155,0 | 48,0 | 26,5 | 12,5 | 17 | 38,9 | 51,0 | 130,0 | 94,0 | 14,0 | Rp 1/8 | 4,0 | 94,0 | 90 h8 | SA 207 | 1,22 |
| OWFZ 40 | 40 | 172,0 | 53,4 | 30,5 | 13,0 | 20 | 43,7 | 58,0 | 143,5 | 105,0 | 14,0 | Rp 1/8 | 4,0 | 105,0 | 100 h8 | SA 208 | 1,60 |
| OWFZ 45 | 45 | 180,0 | 53,4 | 31,0 | 13,0 | 20 | 43,7 | 63,0 | 148,5 | 111,0 | 14,0 | Rp 1/8 | 4,0 | 111,0 | 105 h8 | SA 209 | 1,86 |
| OWFZ 50 | 50 | 190,0 | 56,8 | 35,0 | 13,0 | 24 | 43,8 | 69,0 | 157,0 | 116,0 | 14,0 | Rp 1/8 | 4,0 | 116,0 | 105 h8 | SA 210 | 2,21 |
| OWFZ 60 | 60 | 238,0 | 71,8 | 42,0 | 16,0 | 30 | 53,1 | 84,0 | 202,0 | 138,0 | 18,0 | Rp 1/8 | 4,0 | 138,0 | 130 h8 | SA 212 | 3,74 |