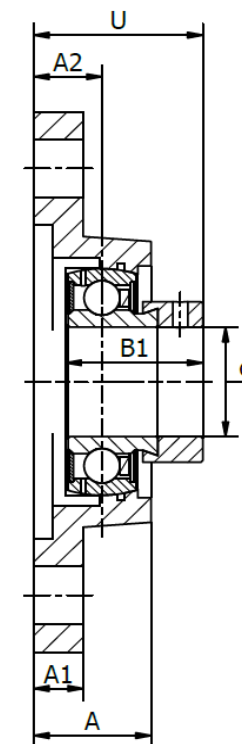
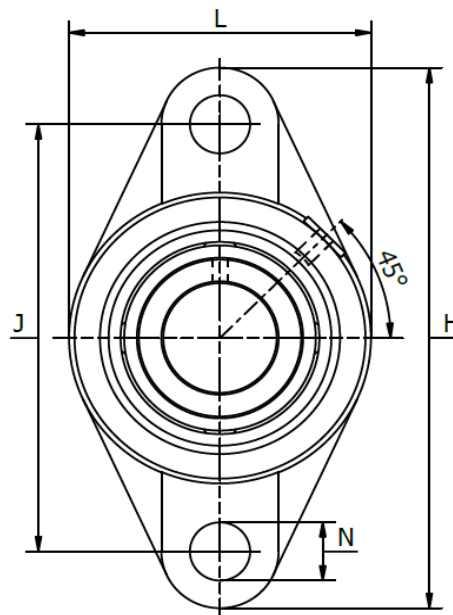




SAFL 200 Series

Two-bolt flange unit, eccentric collar lock, temperature range -30°C to +110°C.



Part No.	Dimensions (mm)										Bearing No.	Housing No.	Basic load rating (kN)		Weight (kg)
	d	H	J	L	N	A1	A2	A	U	B1			Dynamic Cr	Static Cor	
SAFL 204	20	113	90	60	12	11	15	25,5	38,5	31,0	SA 204	FL 204	12,8	6,65	0,41
SAFL 205	25	130	99	68	16	13	16	27,0	39,5	31,0	SA 205	FL 205	14,0	7,85	0,58
SAFL 206	30	148	117	80	16	13	18	31,0	44,7	35,7	SA 206	FL 206	19,5	11,30	0,84
SAFL 207	35	161	130	90	16	14	19	34,0	48,4	38,9	SA 207	FL 207	25,7	15,30	1,02
SAFL 208	40	175	144	100	16	14	21	36,0	53,7	43,7	SA 208	FL 208	29,5	18,10	1,40
SAFL 209	45	188	148	108	19	15	22	38,0	54,7	43,7	SA 209	FL 209	31,6	20,60	1,73
SAFL 210	50	197	157	115	19	15	22	40,0	54,7	43,7	SA 210	FL 210	35,0	23,20	2,05
SAFL 211	55	224	184	130	19	18	25	43,0	61,4	48,4	SA 211	FL 211	43,5	29,20	2,80
SAFL 212	60	250	202	140	23	18	29	48,0	68,6	53,1	SA 212	FL 212	47,7	32,90	3,54