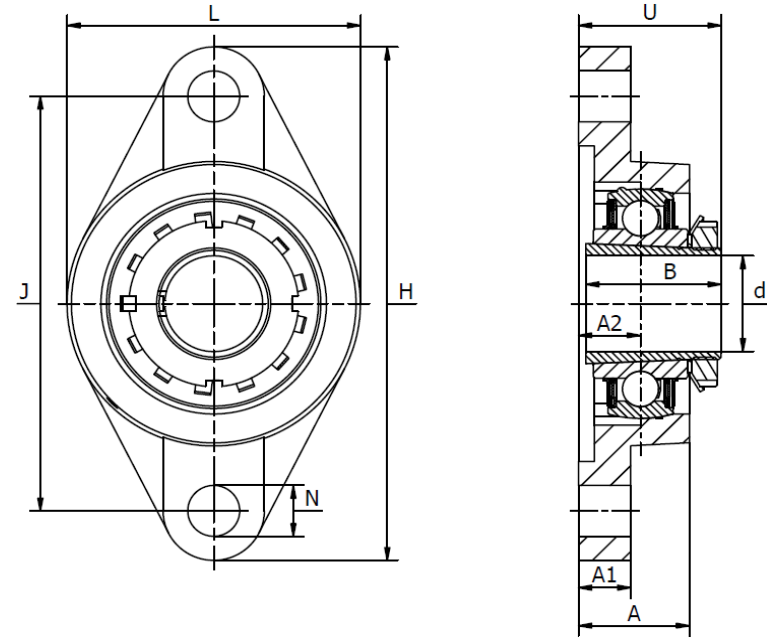




UKFL 200 Series

2-bolt flange units, cast iron, with adapter sleeve locking. Temperature range -30°C to +110°C



Part No.	d mm	Dimensions (mm)									Bolt size	Bearing No.	Housing No.	Adapter Sleeve*	Weight (Kg)
		H	J	L	A2	A1	A	U	B	N					
UKFL 205	20	130	99	68	16	13	30	36	35	16	M14	UK 205	FL 205	H 2305	0,68
UKFL 206	25	148	117	80	18	13	31	39,5	38	16	M14	UK 206	FL 206	H 2306	0,97
UKFL 207	30	161	130	90	19	14	34	43	43	16	M14	UK 207	FL 207	H 2307	1,30
UKFL 208	35	175	144	100	21	14	36	48	46	16	M14	UK 208	FL 208	H 2308	1,60
UKFL 209	40	188	148	108	22	16	38	51	50	19	M16	UK 209	FL 209	H 2309	2,00
UKFL 210	45	197	157	115	22	16	40	52	55	19	M16	UK 210	FL 210	H 2310	2,30
UKFL 211	50	224	184	130	25	18	43	57,5	59	19	M16	UK 211	FL 211	H 2311	3,30
UKFL 212	55	250	202	140	29	18	48	65,5	62	23	M16	UK 212	FL 212	H 2312	4,10
UKFL 213	60	258	210	155	30	20	50	67,5	65	23	M20	UK 213	FL 213	H 2313	5,00
UKFL 215	65	275	225	165	34	22	56	74,5	73	23	M20	UK 215	FL 215	H 2315	6,60
UKFL 216	70	290	233	180	34	22	58	78,5	78	25	M22	UK 216	FL 216	H 2316	8,10
UKFL 217	75	305	248	190	36	22	63	82,5	82	25	M22	UK 217	FL 217	H 2317	9,90
UKFL 218	80	320	265	205	40	24	68	89,5	86	25	M22	UK 218	FL 218	H 2318	12,20

* Adapter sleeve are not included!

Technical changes reserved, some items may not be available from stock.

PTI Europa A/S - www.pti.eu