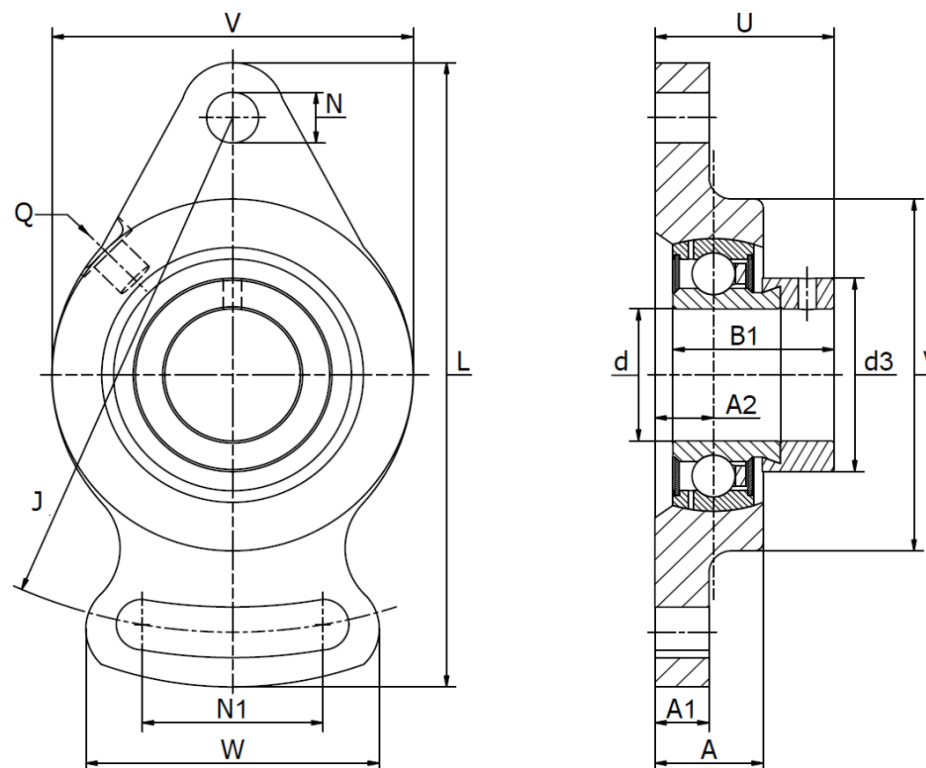




## WSFL .. Take-up housing units (PSFT)

Cast iron housing, radial insert ball bearing with eccentric locking collar. Temperature range -30°C to +110°C.



Part No.	d mm	Dimensions (mm)													Bearing No.	Weight (kg)
		L	U	A	A <sub>1</sub>	A <sub>2</sub>	B <sub>1</sub>	d <sub>3 max</sub>	J	N	N <sub>1</sub>	Q	V	W		
WSFL 20	20	112	36,0	25	11,0	12,0	31,0	33,0	90	11,5	30,0	M6	61	52	SA 204	0,41
WSFL 25	25	124	36,0	20	11,0	12,5	31,0	37,5	99	11,5	37,5	M6	70	63	SA 205	0,56
WSFL 30	30	142	39,7	22	12,0	13,0	35,7	44,0	117	11,5	40,0	M6	80	65	SA 206	0,77
WSFL 35	35	160	44,5	34	13,0	15,0	38,9	51,0	130	14,0	45,0	M6	88	82	SA 207	1,10
WSFL 40	40	171	51,7	36	16,0	19,1	43,7	58,0	142	14,0	54,0	M6	100	84	SA 208	1,30
WSFL 45	45	179	51,7	38	18,0	19,1	43,7	63,0	146	17,0	57,0	M6	110	88	SA 209	1,70
WSFL 50	50	189	51,7	40	18,0	19,1	43,7	69,0	155	17,0	60,0	M6	115	92	SA 210	2,10