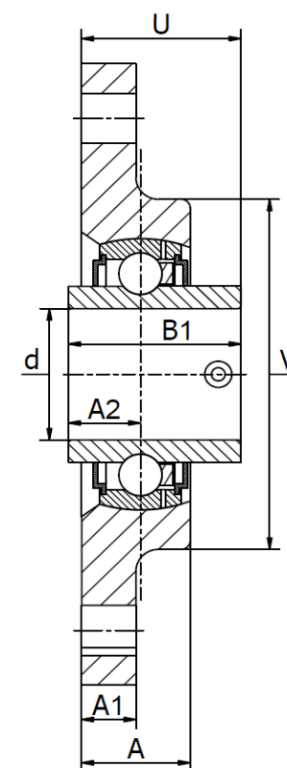
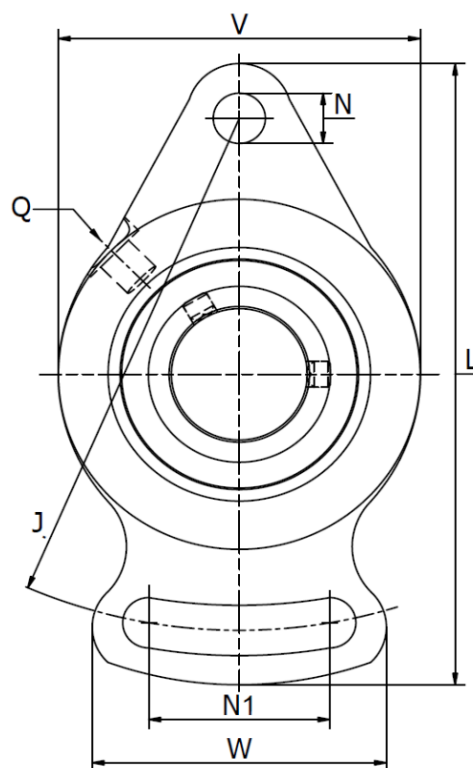




WSFL .. U Take-up housing units (RSFTY)

Cast iron housing, radial insert ball bearing with grub screw. Temperature range -30°C to +110°C.



Part No.	d mm	Dimensions (mm)											Bearing No.	Weight (kg)	
		L	U	A	A ₁	A ₂	B ₁	J	N	N ₁	Q	V			W
WSFL 20 U	20	112	31,1	18	10,0	10,5	31,0	90	11,5	30,0	M6	61	52	UC 204	0,41
WSFL 25 U	25	124	34,3	20	11,0	12,5	34,1	99	11,5	37,5	M6	70	63	UC 205	0,56
WSFL 30 U	30	142	38,3	22	12,0	13,0	38,1	117	11,5	40,0	M6	80	65	UC 206	0,77
WSFL 35 U	35	155	43,0	25	12,5	15,0	42,9	128	14,0	45,0	M6	90	75	UC 207	1,10
WSFL 40 U	40	171	49,3	36	16,0	19,1	49,2	142	14,0	54,0	M6	100	84	UC 208	1,30
WSFL 45 U	45	179	49,3	38	18,0	19,1	49,2	146	17,0	57,0	M6	110	88	UC 209	1,70
WSFL 50 U	50	189	51,6	40	18,0	19,1	51,6	155	17,0	60,0	M6	115	92	UC 210	2,10