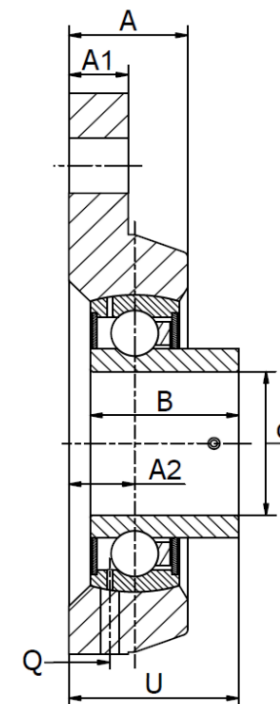
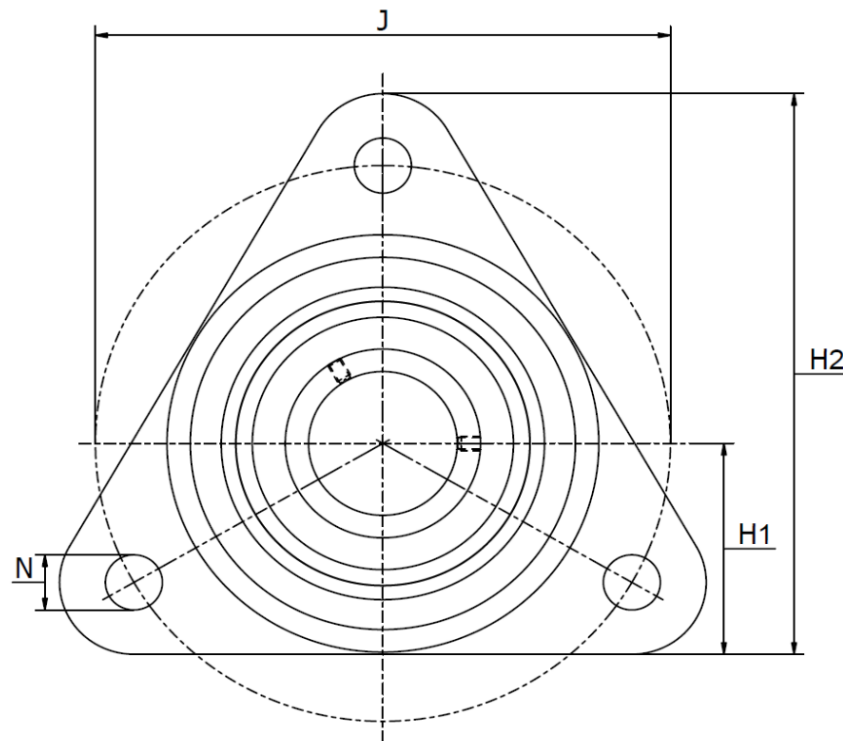




DFW .. S Series (PCFTRY)

Normal Duty, Set Screw Locking. Temperature range -30°C to +110°C



Part No.	d	Dimensions (mm)										Bearing No.	Weight (kg)	Cover
	mm	H ₂	U	A	A ₁	A ₂	B	H ₁	J	N	Q			
DFW 20 S	20	92	28,5	20	11	10,5	25,0	35	89,5	11,5	Rp1/8	SB 204	0,56	KASK04
DFW 25 S	25	97	32,0	22	12	12,5	27,0	36	96,0	11,5	Rp1/8	SB 205	0,71	KASK05
DFW 30 S	30	117	34,3	24	12	13,3	30,0	44	116	11,5	Rp1/8	SB 206	0,99	KASK06
DFW 35 S	35	128	40,1	27	14	15,6	35,0	48	129,7	14,0	Rp1/8	SB 207	1,34	KASK07
DFW 40 S	40	137	47,3	30	16	18,3	39,5	51	140	14,0	Rp1/8	SB 208	1,83	KASK08