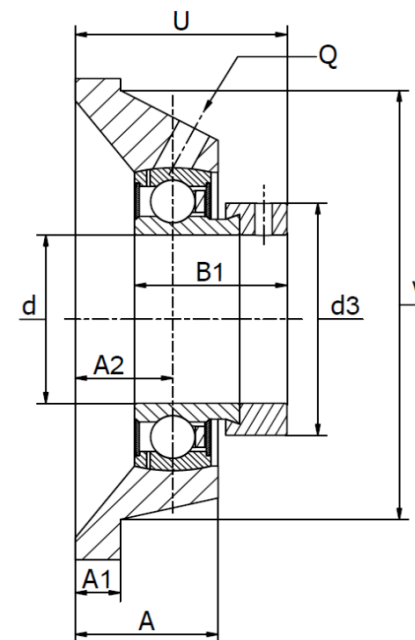
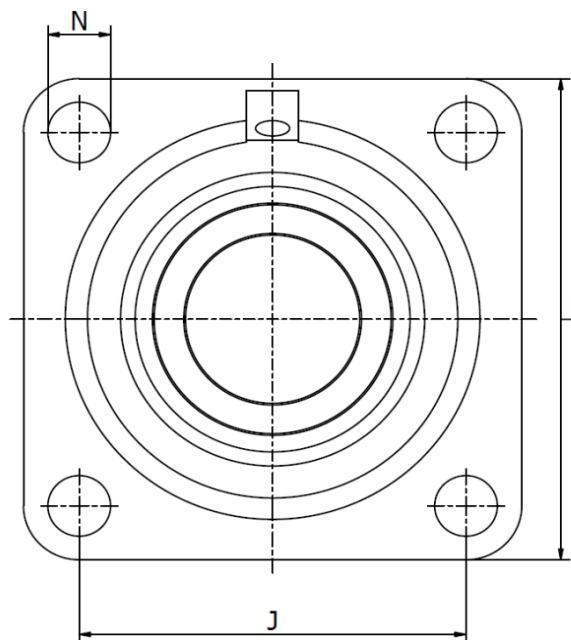




FWS .. series (PCJ)

Four-bolt flanged housing units, cast iron, eccentric locking collar. Temperature range -30°C to +110°C



Part No.	d mm	Dimensions (mm)										Bearing No.	Housing No.	Weight (kg)	Cover	
		L	U	A	A ₁	A ₂	B ₁	d _{3 max}	J	N	Q					V
FWS 12 - PCJ12	12	76	37,1	26	9,5	15	28,6	28	54	11,5	M6	50	SA 201	FWS 12-FY503	0,52	N/A
FWS 15 - PCJ15	15	76	37,1	26	9,5	15	28,6	28	54	11,5	M6	50	SA 202	FWS 15-FY503	0,52	N/A
FWS 17 - PCJ17	17	76	37,1	26	9,5	15	28,6	28	54	11,5	M6	50	SA 203	FWS 17-FY503	0,52	N/A
FWS 20 - PCJ20	20	86	42,5	29,0	10,0	19	31,0	33,0	63,5	11,5	1/8"	68	SA 204	CJ04	0,60	N/A
FWS 25 - PCJ25	25	95	42,5	29,0	11,0	19	31,0	37,5	70,0	11,5	1/8"	74	SA 205	CJ05	0,76	KASK05
FWS 30 - PCJ30	30	108	46,8	29,0	12,0	20	35,8	44,0	82,5	11,5	1/8"	85	SA 206	CJ06	1,11	KASK06
FWS 35 - PCJ35	35	118	50,5	30,5	12,5	21	39,0	55,0	92,0	14,0	1/8"	100	SA 207	CJ07	1,46	KASK07
FWS 40 - PCJ40	40	130	56,8	34,5	13,0	24	43,8	58,0	101,5	14,0	1/8"	110	SA 208	CJ08	1,89	KASK08
FWS 45 - PCJ45	45	137	56,7	35,0	13,0	24	43,8	63,0	105,0	14,0	1/8"	116	SA 209	CJ09	2,22	Cover Ø40/45
FWS 50 - PCJ50	50	143	60,8	39,0	13,0	28	43,8	69,0	111,0	18,0	1/8"	125	SA 210	CJ10	2,30	KASK10
FWS 55 - PCJ55	55	162	67,4	43,5	15,0	31	48,4	76,0	130,0	18,0	1/8"	140	SA 211	CJ11	2,91	N/A
FWS 60 - PCJ60	60	175	73,6	46,0	16,0	34	53,1	84,0	143,0	18,0	1/8"	150	SA 212	CJ12	4,10	KASK12