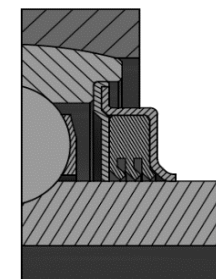
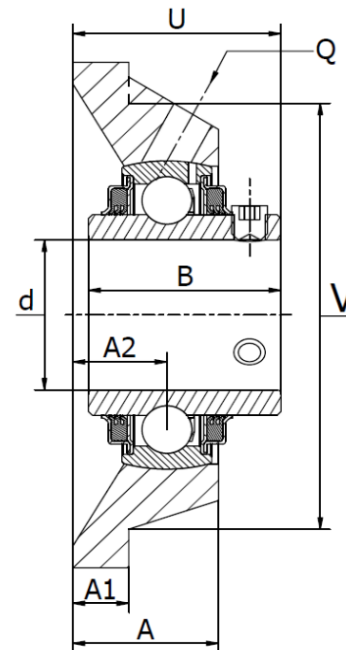
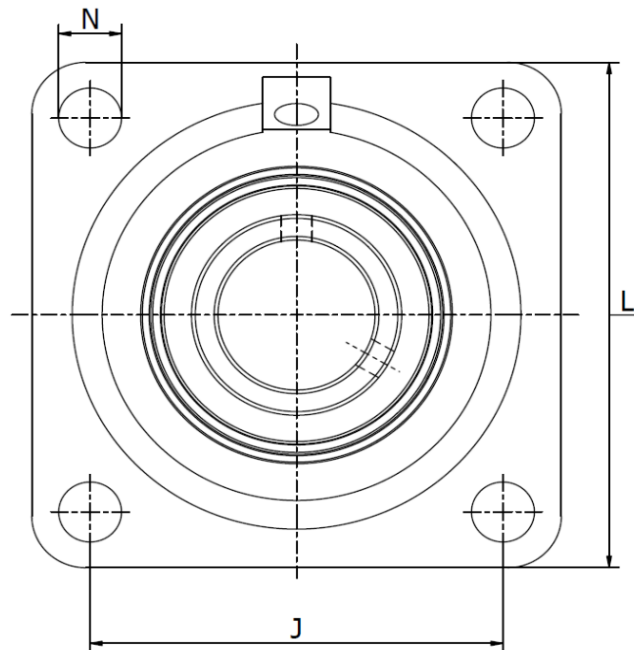




## FWS .. U R3 series

Four-bolt flanged housing units, cast iron, set screw locking, tripple seals. Temperature range -30°C to +110°C



**Tripple-lip seal  
(+Suffix-R3)**

Part No.	d mm	Dimensions (mm)										Bearing No.	Housing No.	Weight (kg)	Cover (Not included)
		L	U	A	A <sub>1</sub>	A <sub>2</sub>	B	J	N	Q	V				
<b>FWS 25 U R3</b>	25	95	38,8	29,0	11,0	19,0	34,1	70,0	11,5	1/8"	74	UC 205 R3	CJ05	0,77	KASK05
<b>FWS 30 U R3</b>	30	108	42,2	29,0	12,0	20,0	38,1	82,5	11,5	1/8"	85	UC 206 R3	CJ06	1,1	KASK06
<b>FWS 35 U R3</b>	35	118	46,4	30,5	12,5	21,0	42,9	92,0	14,0	1/8"	100	UC 207 R3	CJ07	1,44	KASK07
<b>FWS 40 U R3</b>	40	130	54,2	34,5	13,0	24,0	49,2	101,5	14,0	1/8"	110	UC 208 R3	CJ08	1,93	KASK08
<b>FWS 45 U R3</b>	45	137	54,2	35,0	13,0	24,0	49,2	105,0	14,0	1/8"	116	UC 209 R3	CJ09	2,15	Cover Ø45
<b>FWS 50 U R3</b>	50	143	60,6	39,0	13,0	28,0	51,6	111,0	18,0	1/8"	125	UC 210 R3	CJ10	2,33	KASK10
<b>FWS 55 U R3</b>	55	162	64,4	43,6	15,0	31,0	55,6	130,0	18,0	1/8"	140	UC 211 R3	CJ11	3,41	N/A
<b>FWS 60 U R3</b>	60	175	73,7	46,0	16,0	34,0	65,1	143,0	18,0	1/8"	150	UC 212 R3	CJ12	4,22	KASK12