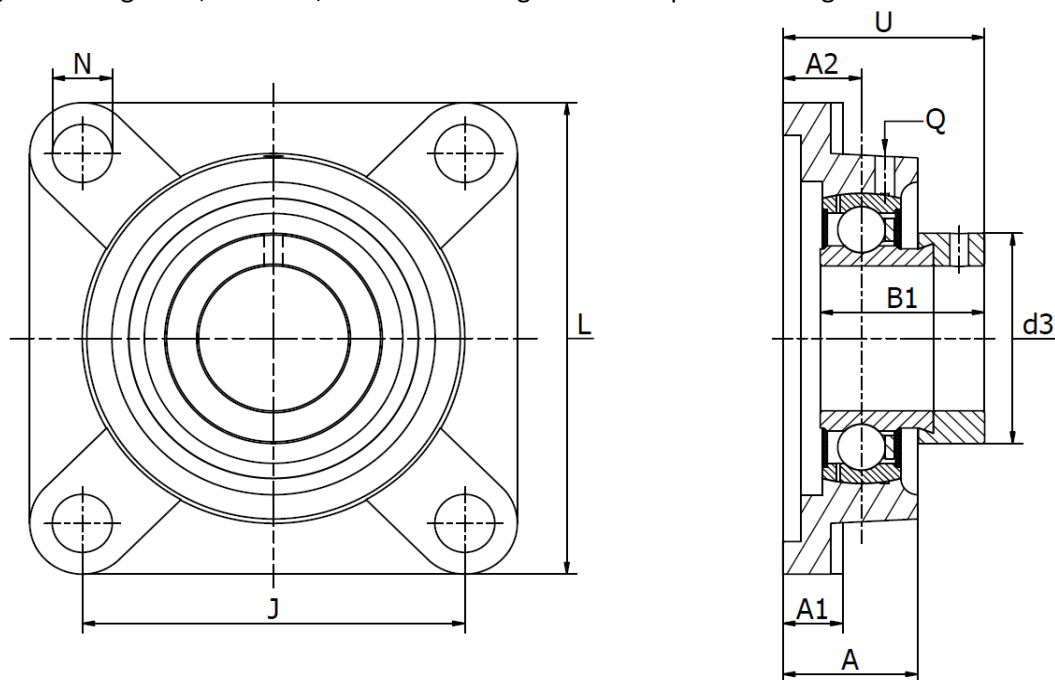




## SAF Series

Four-bolt flanged housing units, cast iron, eccentric locking collar. Temperature range -30°C to +110°C



Part No.	d mm	Dimensions (mm)										Bolt Size	Bearing No.	Housing No.	Weight (kg)	Cover
		L	J	A2	A1	A	U	B1	d3	N	Q					
SAF 201	12	76	54	15	11	26	37,5	28,6	29,0	11,5	M6	M10	SA 201	F 201	0,47	N/A
SAF 202	15	76	54	15	11	26	37,5	28,6	29,0	11,5	M6	M10	SA 202	F 202	0,47	N/A
SAF 203	17	76	54	15	11	26	37,5	28,6	29,0	11,5	M6	M10	SA 203	F 203	0,47	N/A
SAF 204	20	86	64	15	11	25,5	37,5	31,0	33,0	12,0	M6	M10	SA 204	F 204	0,61	N/A
SAF 205	25	95	70	16	13	27	39,0	31,0	38,0	12,0	M6	M10	SA 205	F 205	0,8	KASK 05
SAF 206	30	108	83	18	13	31	43,9	35,8	44,5	12,0	M6	M10	SA 206	F 206	1,07	Cover Ø30
SAF 207	35	117	92	19	15	34	48,5	39,0	55,5	14,0	M6 - Rp1/8"	M12	SA 207	F 207	1,4	Cover Ø35
SAF 208	40	130	102	21	15	36	52,0	43,8	60,0	14,0	M6 - Rp1/8"	M12	SA 208	F 208	1,8	Cover Ø40/45
SAF 209	45	137	105	22	16	38	54,2	43,8	63,5	16,0	M6	M14	SA 209	F 209	2,2	Cover Ø40/45
SAF 210	50	143	111	22	16	40	55,2	43,8	69,5	16,0	M6 - Rp1/8"	M16	SA 210	F 210	2,4	Cover Ø50
SAF 211	55	162	130	25	19,5	43	61,9	48,4	76,0	18,0	M6	M16	SA 211	F 211	3,5	N/A
SAF 212	60	175	143	29	18	48	69,3	53,1	84,0	18,0	M6	M16	SA 212	F 212	4,2	N/A