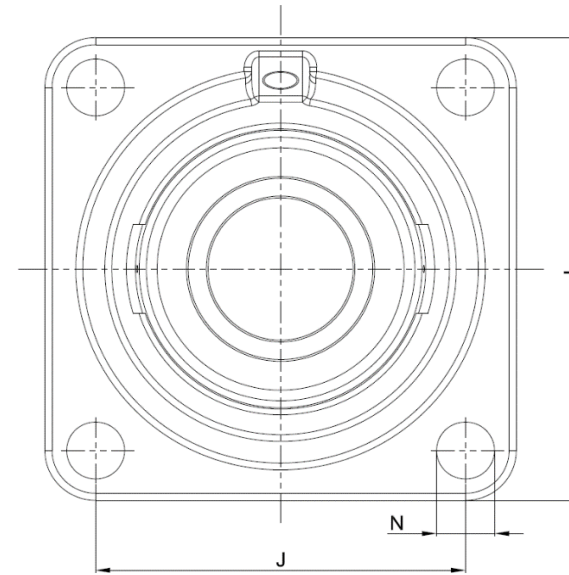
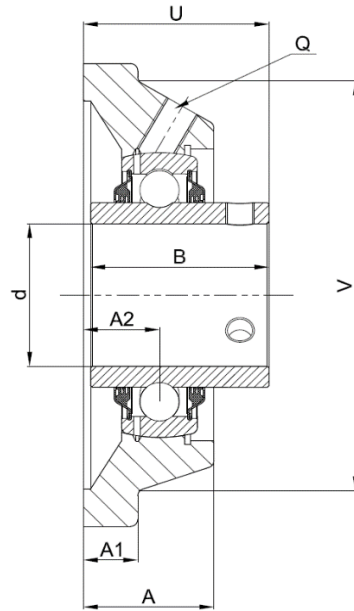




## UCF 200 N - Series

four-bolt flanged housing units, cast iron, set screw locking, tripple rubber lip seals.



Part No.	d	Dimensions (mm)										Bearing No.	Housing No.	Weight (kg)	Cover
	mm	L	U	A	A1	A2	B	J	N	Q	V				
UCF 204 N	20	86	33,3	25,5	12	15	31	64	12	M6	68	UC 204 R3	F 204 N	0,62	KASK04
UCF 205 N	25	95	35,7	27	13,5	16	34	70	12	Rp1/8"	74	UC 205 R3	F 205 N	0,77	KASK05
UCF 206 N	30	108	40,2	31	14,3	18	38	83	12	Rp1/8"	85	UC 206 R3	F 206 N	1,10	KASK06
UCF 207 N	35	117	44,4	34	16,5	19	42,9	92	14	Rp1/8"	100	UC 207 R3	F 207 N	1,44	KASK07
UCF 208 N	40	130	51,2	36	15	21	49,2	102	16	Rp1/8"	110	UC 208 R3	F 208 N	1,93	KASK08
UCF 209 N	45	137	52,2	38	17,5	22	49,2	105	16	Rp1/8"	116	UC 209 R3	F 209 N	2,15	EC209
UCF 210 N	50	143	54,6	40	16	22	52	111	16	Rp1/8"	125	UC 210 R3	F 210 N	2,33	KASK10
UCF 212 N	60	175	68,7	48	19,5	29	65	143	19	Rp1/8"	150	UC 212 R3	F 212 N	4,22	KASK12

The remaining sizes are available in the normal style UCF, see the datasheet here: [UCF Datasheet](#)