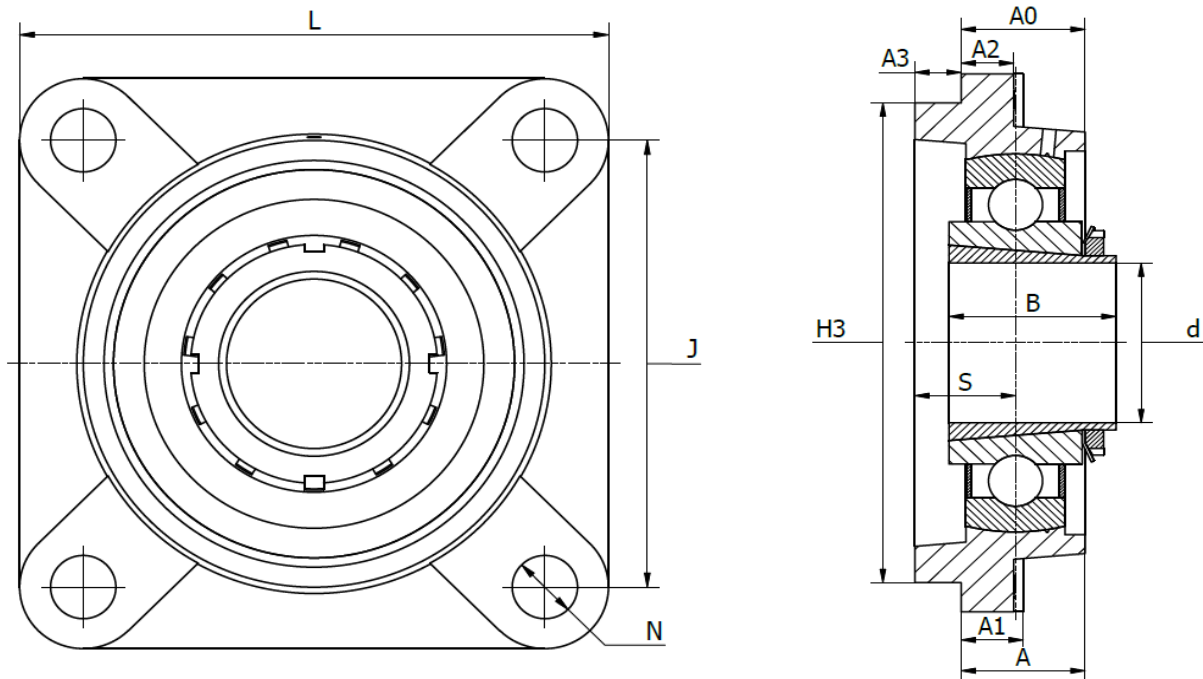




UKFS 300 Series - Four-bolt flanged housing units

Cast iron, for adapter sleeves (not included). Temperature range -30°C to +110°C



Part No.	Dimensions (mm)											Bearing No.	Housing No.	Adapter Sleeve (not included)	Mass (kg)	
	d	L	J	A ₂	N	A ₃	A ₁	A	H ₃	B	S					A ₀
UKFS 305	20	110	80	9	16	7	13	22	80	35	15	37	UK 305	FS 305	H 2305	1,4
UKFS 306	25	125	95	10	16	8	15	24	90	38	17	40,5	UK 306	FS 306	H 2306	1,9
UKFS 307	30	135	100	11	19	9	16	27	100	43	19	45,5	UK 307	FS 307	H 2307	2,4
UKFS 308	35	150	112	13	19	10	17	30	115	46	19	50	UK 308	FS 308	H 2308	3,3
UKFS 309	40	160	125	14	19	11	18	33	125	50	22	50	UK 309	FS 309	H 2309	4,1
UKFS 310	45	175	132	16	23	12	19	36	140	55	22	60,5	UK 310	FS 310	H 2310	5,4
UKFS 311	50	185	140	17	23	13	20	39	150	59	25	64	UK 311	FS 311	H 2311	6,3
UKFS 312	55	195	150	19	23	18	22	42	160	62	26	69,5	UK 312	FS 312	H 2312	7,5
UKFS 313	60	208	166	15	23	18	22	40	175	65	30	71,5	UK 313	FS 313	H 2313	8,6
UKFS 315	65	236	184	21	25	18	25	48	200	73	32	81,5	UK 315	FS 315	H 2315	13,0
UKFS 316	70	250	196	18	31	20	27	48	210	78	34	84	UK 316	FS 316	H 2316	14,0
UKFS 317	75	260	204	24	31	20	27	54	220	82	40	92	UK 317	FS 317	H 2317	17,0
UKFS 318	80	280	216	24	35	20	30	56	240	86	40	94	UK 318	FS 318	H 2318	20,0
UKFS 319	85	290	228	39	35	20	30	74	250	90	41	112	UK 319	FS 319	H 2319	24,0
UKFS 320	90	310	242	39	38	20	32	74	260	97	42	116	UK 320	FS 320	H 2320	27,0
UKFS 322	100	340	266	35	41	25	35	71	300	105	46	121	UK 322	FS 322	H 2322	37,0
UKFS 324	110	370	290	35	41	30	40	80	330	112	51	130	UK 324	FS 324	H 2324	51,0
UKFS 326	115	410	320	35	41	30	45	85	360	121	54	133	UK 326	FS 326	H 2326	68,0
UKFS 328	125	450	350	45	41	30	55	95	400	131	59	147	UK 328	FS 328	H 2328	97,0