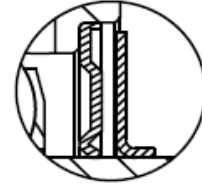
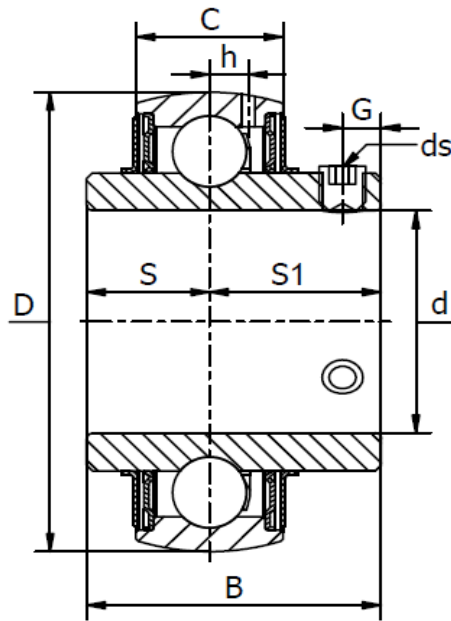




UCX 00 Series - Radial Insert Ball Bearings

Location by set screws, universal regreaseable acc. to common european and japanese standards, lithium based NLGI 2/3 grease. Temperature range -30°C to +110°C.



Bearing No.	Dimensions (mm)									Basic load Rating (N)		Weight (kg)
	d	D	B	C	S	S ₁	G	h	ds	C _r	C _{or}	
UCX05	25,0	62	38,1	19	15,9	22,2	6,0	5,0	M6	19500	11300	0,39
UCX06	30,0	72	42,9	20	17,5	25,4	6,5	5,5	M8	19500	11300	0,38
UCX07	35,0	80	49,2	21	19,0	30,2	8,0	6,0	M8	29100	17800	0,75
UCX08	40,0	85	49,2	22	19,0	30,2	8,0	6,0	M8	31100	21300	0,83
UCX09	45,0	90	51,6	24	19,0	32,6	9,0	6,0	M10	35100	23300	0,95
UCX10	50,0	100	55,6	25	22,2	33,4	9,0	7,0	M10	43400	29400	1,29
UCX11	55,0	110	65,1	27	25,4	39,7	10,5	7,5	M10	52400	36200	1,80
UCX12	60,0	120	65,1	28	25,4	39,7	12,0	7,5	M12	57200	40100	2,05
UCX13	65,0	125	74,6	29	30,2	44,4	12,0	9,0	M12	62200	44100	2,52
UCX14	70,0	130	77,8	32	33,3	44,5	12,0	9,0	M12	67400	48300	2,74
UCX15	75,0	140	82,6	33	33,3	49,2	14,0	9,0	M12	72700	53000	3,41
UCX16	80,0	150	85,7	35	34,1	51,6	14,0	10,0	M12	84000	61900	3,87
UCX17	85,0	160	96,0	38	39,7	56,3	15,0	11,0	M12	96100	71500	5,05
UCX18	90,0	170	104,0	40	42,9	61,1	16,0	11,5	M14	10900	81900	6,00
UCX20	100,0	190	117,5	43	49,2	68,3	18,0	13,0	M16	133000	105000	8,56