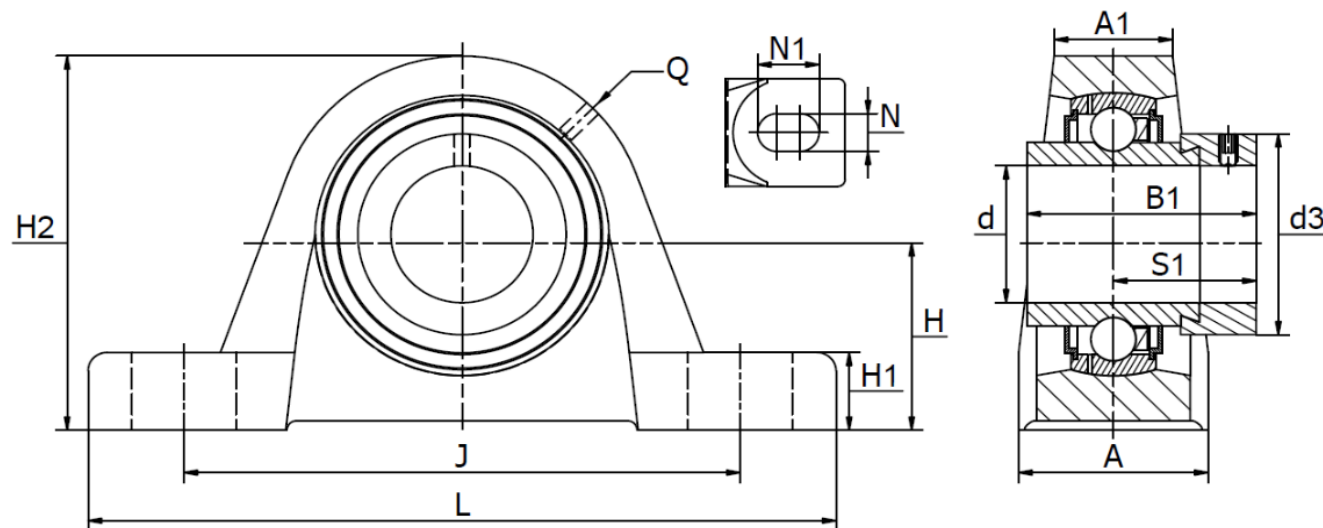




SW .. A ZP series (RASE..FA125) - Plummer block housing units

Cast iron housing, radial insert ball bearing with eccentric locking collar, with zinc plated anti-corrosion protection. Temperature range -30°C to +110°C



Part No.	d mm	Dimensions (mm)										Bearing No.	Weight (kg)	Cover			
		L	H ₂	A	A ₁	B ₁	d _{3 max}	H	H ₁	J	N				N ₁	Q	S ₁
SW 20 A ZP-RASE20	20	130	64,0	32	19	43,7	33,0	33,3	14,5	97	11	19	R1/8	26,6	HC 204 ZP	0,59	N/A
SW 25 A ZP-RASE25	25	130	70,0	36	21	44,4	37,5	36,5	14,5	103	11	19	R1/8	26,9	HC 205 ZP	0,70	KASK05
SW 30 A ZP-RASE30	30	158	82,0	40	25	48,4	44,0	42,9	17,0	118	14	22	R1/8	30,1	HC 206 ZP	1,11	KASK06
SW 35 A ZP-RASE35	35	163	93,0	45	27	51,1	51,0	47,6	19,0	126	14	21	R1/8	32,3	HC 207 ZP	1,60	N/A
SW 40 A ZP-RASE40	40	179	99,0	48	30	56,3	60,3	49,2	19,0	138	14	26	R1/8	34,9	HC 208 ZP	1,83	KASK08
SW 45 A ZP-RASE45	45	192	107,0	48	32	56,3	63,0	54,0	21,5	150	14	29	R1/8	34,9	HC 209 ZP	2,21	Cover Ø45
SW 50 A ZP-RASE50	50	200	115,0	54	34	62,7	69,0	57,2	21,5	158	18	23	R1/8	38,1	HC 210 ZP	2,70	KASK10
SW 55 A ZP-RASE55	55	222	124,5	60	35	71,4	76,0	63,5	22,5	176	18	30	R1/8	43,6	HC 211 ZP	3,40	N/A
SW 60 A ZP-RASE60	60	240	140,0	60	42	77,8	84,0	69,9	25,0	190	18	28	R1/8	46,8	HC 212 ZP	4,79	KASK12