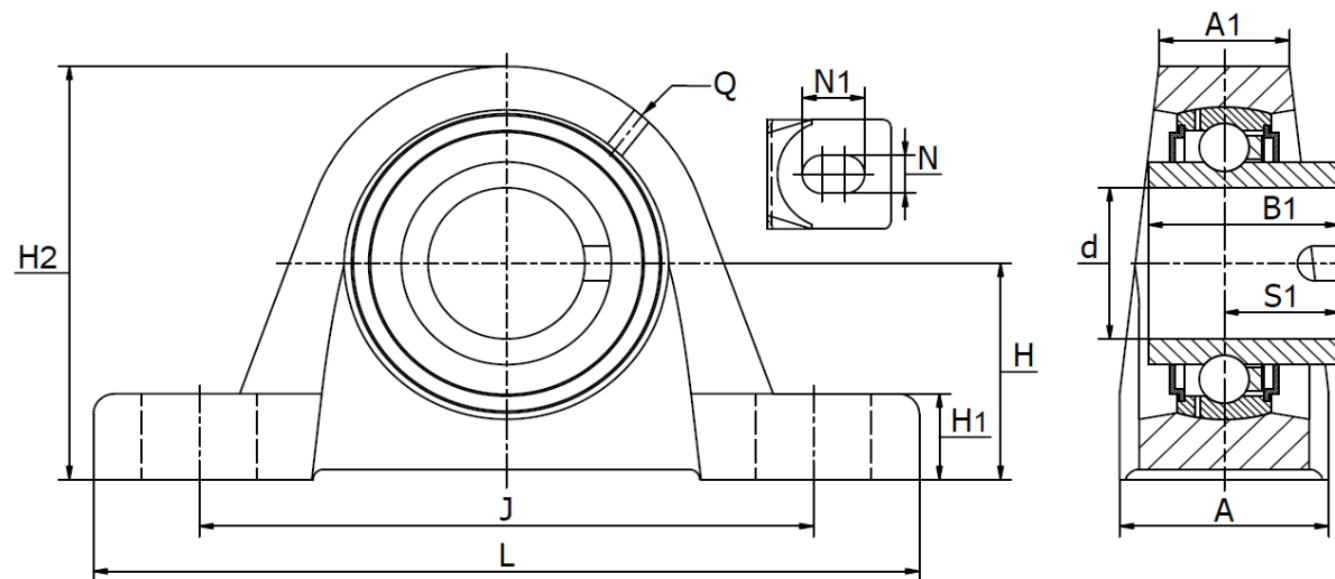




SW .. G series (RASEL) - Plummer block housing unit

Cast iron housing, zinc plated non-locating bearing, drive slot on inner ring. Temperature range -30°C to +110°C



Part No.	d mm	Dimensions (mm)											Bearing No.	Weight (kg)	Cover	
		L	H ₂	A	A ₁	B	H	H ₁	J	N	N ₁	Q				S ₁
SW 20 G-RASEL20	20	130	64,0	32	19	34,1	33,3	14,5	97	11	19	R1/8	18,5	GLE20KRRB.FA125	0,58	KASK04
SW 25 G-RASEL25	25	130	70,0	36	22	34,9	36,5	14,5	103	11	19	R1/8	20,2	GLE25KRRB.FA125	0,70	KASK05
SW 30 G-RASEL30	30	158	82,0	40	25	36,5	42,9	17,0	118	14	22	R1/8	22	GLE30KRRB.FA125	1,10	KASK06
SW 35 G-RASEL35	35	163	93,0	45	27	37,7	47,6	19,0	126	14	21	R1/8	22	GLE35KRRB.FA125	1,50	N/A
SW 40 G-RASEL40	40	179	99,0	48	30	42,9	49,2	19,0	138	14	26	R1/8	27	GLE40KRRB.FA125	1,79	KASK08
SW 45 G-RASEL45	45	192	107,0	48	32	42,9	54,0	21,5	150	14	29	R1/8	25,5	GLE45KRRB.FA125	2,10	KASK09
SW 50 G-RASEL50	50	200	115,0	54	34	49,2	57,2	21,5	158	18	23	R1/8	30,2	GLE50KRRB.FA125	2,60	KASK10
SW 60 G-RASEL60	60	240	140,0	60	42	61,9	69,9	25,0	190	18	28	R1/8	37,3	GLE60KRRB.FA125	4,43	KASK12
SW 70 G-RASEL70	70	260	156,0	65	44	68,2	79,4	27,5	203	22	28	R1/8	41,2	GLE70KRRB.FA125	5,87	N/A